

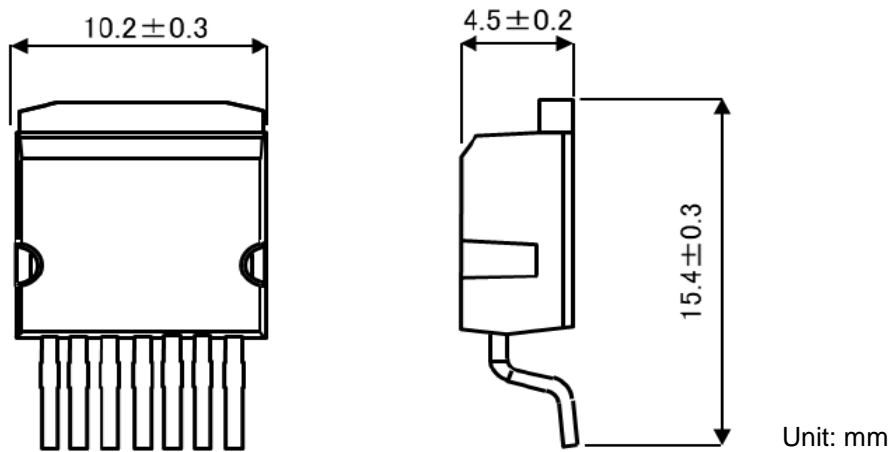
Product	SiC MOSFET	Package	TO-263-7L
---------	------------	---------	-----------

1. Scope

This specification covers the tape packing requirements for TO-263-7L.

For individual characteristics, the applicable specification shall be referred to.

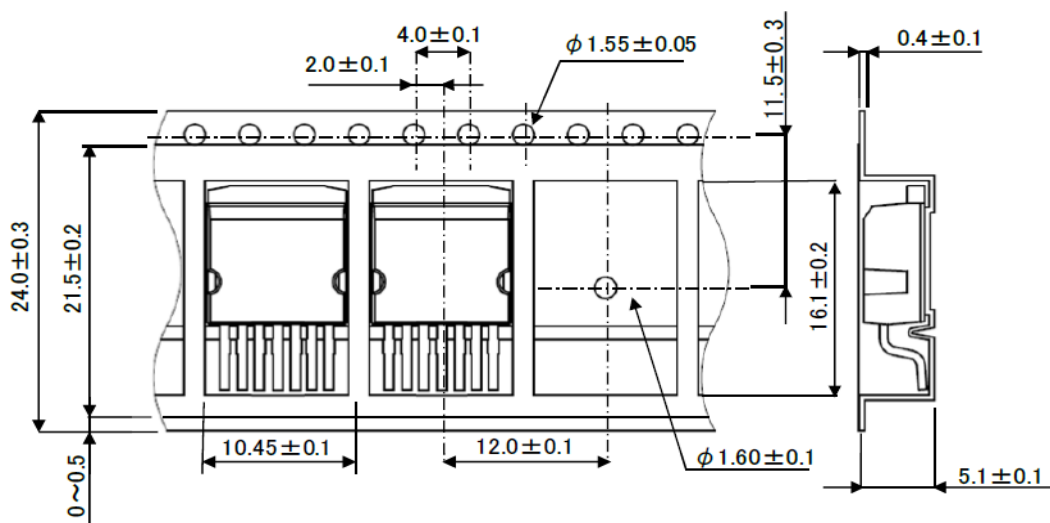
2. Components description



Note) Please refer to individual product specification for more detail.

This figure is only for reference.

3. Taping dimensions



Note) Sprocket holes might be covered with the cover tape.

Unit: mm

4. Tape packing specification

4-1 Direction of tape winding

In TL taping, drain/collector fin faces sprocket hole side.

All products faces in same direction in each reels.

4-2 Cumulative pitch tolerance

The cumulative pitch tolerance of the carrier tape shall be within $\pm 0.2\text{mm}$ per 10 sprocket holes.

4-3 The minimum radius to bend the carrier tape

Carrier tape shall be flexible enough to protect component from dropout and damage under a minimum radius of 50mm. However, it shall be defined only inside of carrier tape.

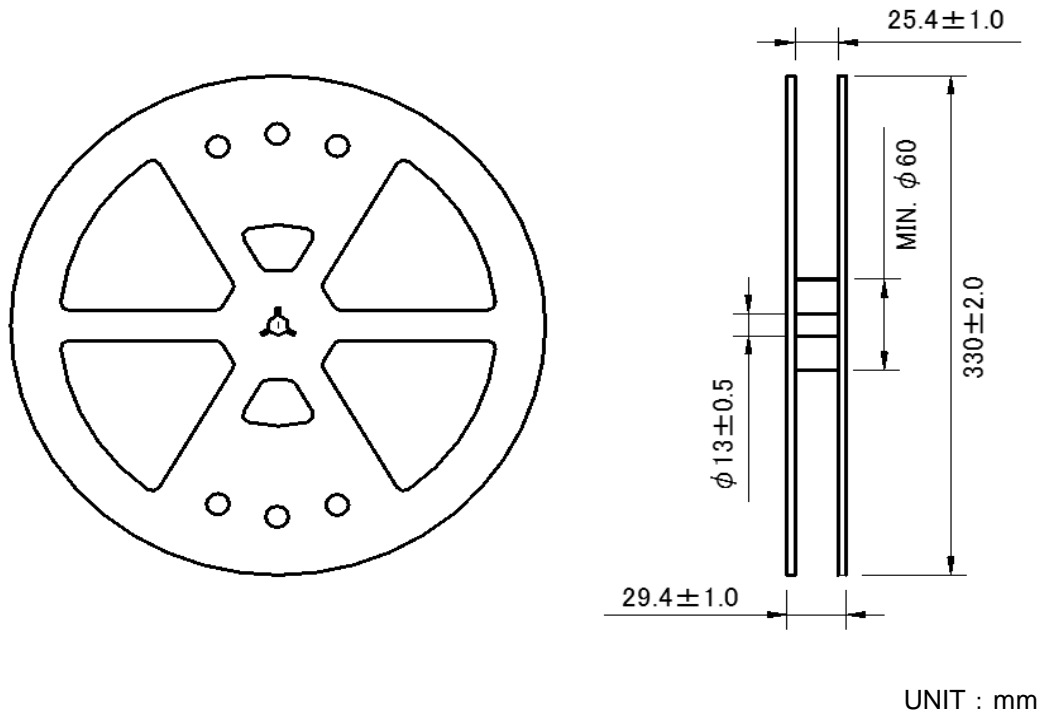
4-4 The material of carrier tape

PET

4-5 Failure Rate

	Rate of occurrence	Remarks
Continuous missing	0%	Except leader and trail portion
Uncontinuous missing	MAX 0.1%/reel	

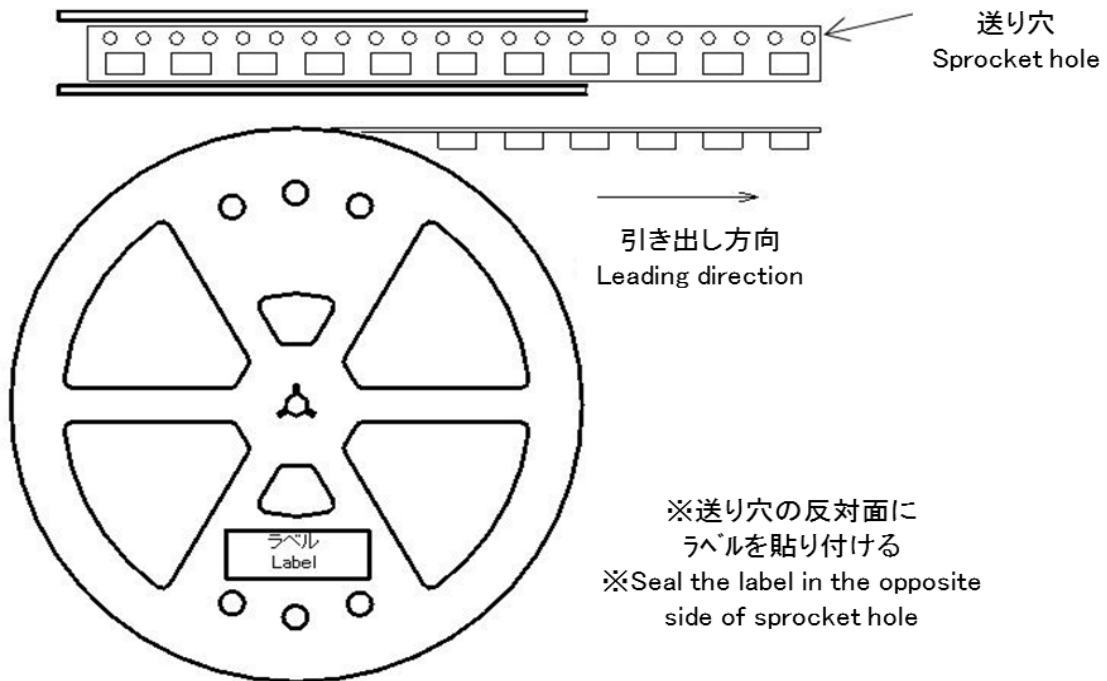
5. Reel dimensions



6. Reeling specification

6-1 Leading direction

Leading direction of carrier tape is indicated as below.



6-2 Leader

Leader tape is separated into two parts.

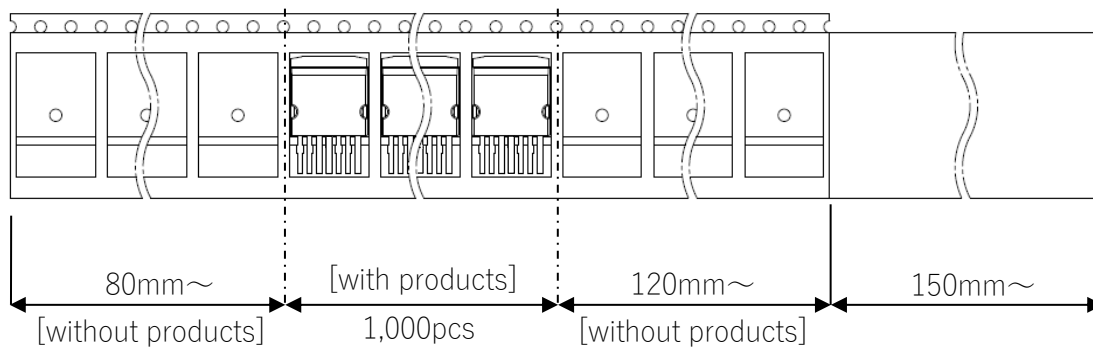
(Starting from adhesive tape part and carrier tape part without products.)

6-3 Trail

Trail tape remains with no product and not glued on a reel.

6-4 Treatment of tape termination

The end of leader tape is taped with the white adhesive tape.



7. Type Product code of taping is indicated as below.

EX. SCT3160KW7 TL
Product code Taping code

8 Quantity Quantity per one reel is 1,000 pcs.

9 Marking Each reels are labeled with the following items.

- 1.Type
- 2.Quantity
- 3.Lot No.
- 4.Inspector stamp
- 5.Trade mark

※Bar code is also displayed.

10 Packag Reels are packed in a paper case.

Notes

- 1) The information contained herein is subject to change without notice.
- 2) Before you use our Products, please contact our sales representative and verify the latest specifications :
- 3) Although ROHM is continuously working to improve product reliability and quality, semiconductors can break down and malfunction due to various factors.
Therefore, in order to prevent personal injury or fire arising from failure, please take safety measures such as complying with the derating characteristics, implementing redundant and fire prevention designs, and utilizing backups and fail-safe procedures. ROHM shall have no responsibility for any damages arising out of the use of our Products beyond the rating specified by ROHM.
- 4) Examples of application circuits, circuit constants and any other information contained herein are provided only to illustrate the standard usage and operations of the Products. The peripheral conditions must be taken into account when designing circuits for mass production.
- 5) The technical information specified herein is intended only to show the typical functions of and examples of application circuits for the Products. ROHM does not grant you, explicitly or implicitly, any license to use or exercise intellectual property or other rights held by ROHM or any other parties. ROHM shall have no responsibility whatsoever for any dispute arising out of the use of such technical information.
- 6) The Products are intended for use in general electronic equipment (i.e. AV/OA devices, communication, consumer systems, gaming/entertainment sets) as well as the applications indicated in this document.
- 7) The Products specified in this document are not designed to be radiation tolerant.
- 8) For use of our Products in applications requiring a high degree of reliability (as exemplified below), please contact and consult with a ROHM representative : transportation equipment (i.e. cars, ships, trains), primary communication equipment, traffic lights, fire/crime prevention, safety equipment, medical systems, servers, solar cells, and power transmission systems.
- 9) Do not use our Products in applications requiring extremely high reliability, such as aerospace equipment, nuclear power control systems, and submarine repeaters.
- 10) ROHM shall have no responsibility for any damages or injury arising from non-compliance with the recommended usage conditions and specifications contained herein.
- 11) ROHM has used reasonable care to ensure the accuracy of the information contained in this document. However, ROHM does not warrant that such information is error-free, and ROHM shall have no responsibility for any damages arising from any inaccuracy or misprint of such information.
- 12) Please use the Products in accordance with any applicable environmental laws and regulations, such as the RoHS Directive. For more details, including RoHS compatibility, please contact a ROHM sales office. ROHM shall have no responsibility for any damages or losses resulting from non-compliance with any applicable laws or regulations.
- 13) When providing our Products and technologies contained in this document to other countries, you must abide by the procedures and provisions stipulated in all applicable export laws and regulations, including without limitation the US Export Administration Regulations and the Foreign Exchange and Foreign Trade Act.
- 14) This document, in part or in whole, may not be reprinted or reproduced without prior consent of ROHM.



Thank you for your accessing to ROHM product informations.
More detail product informations and catalogs are available, please contact us.

ROHM Customer Support System

<http://www.rohm.com/contact/>