



Electronics for the Future

No. 66QS013C REV.002

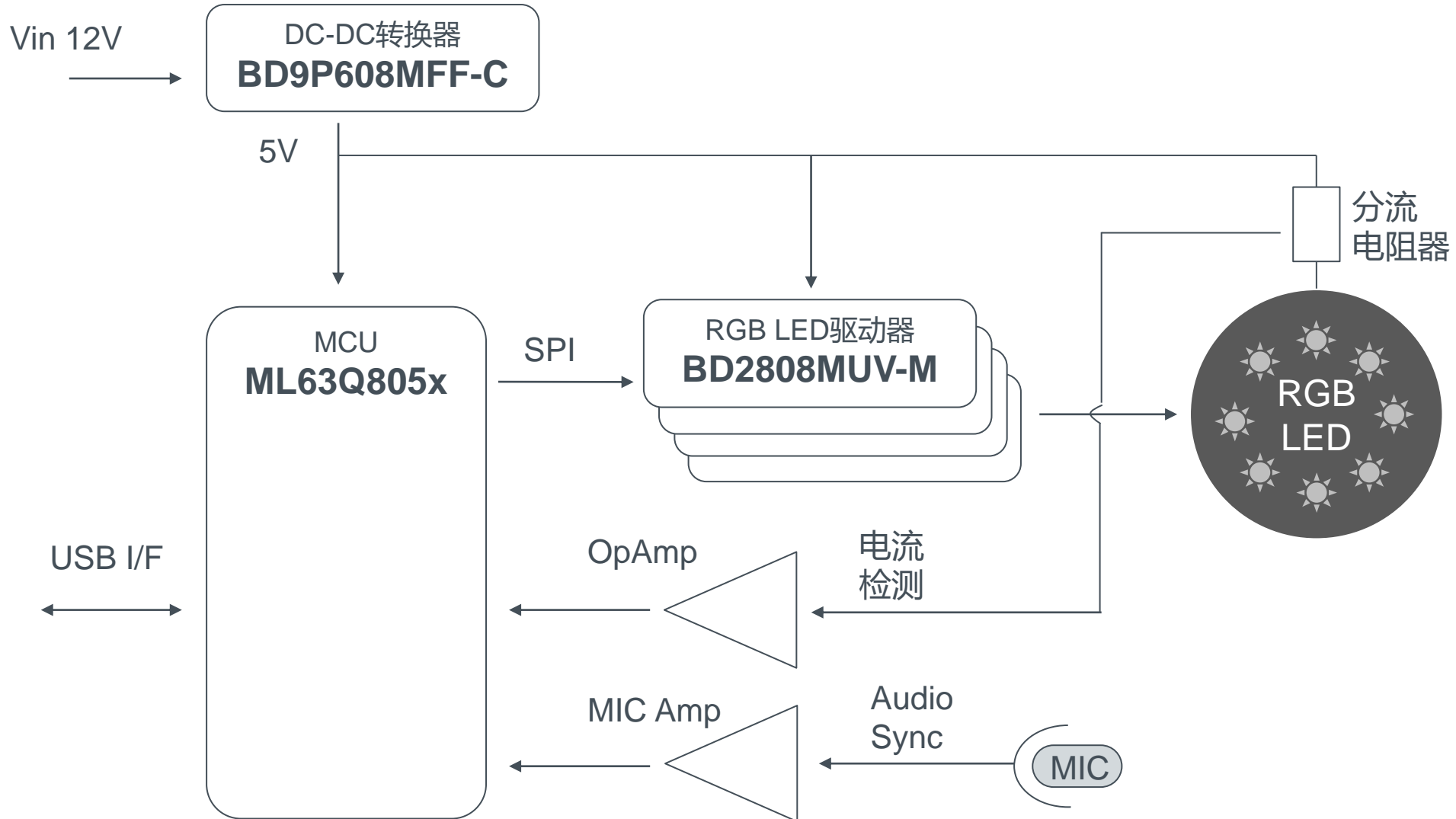
Jun.2024

REF66007 –参考设计 车内照明 (RGB照明)

Designed by



框图



简介

内饰灯光可以使车内空间更加温馨，让车内生活更加舒适。该参考板使用RGB LED驱动器BD2808MUF-M，通过6bit DC调光和8bit PWM调光功能实现细腻精致的灯光效果。

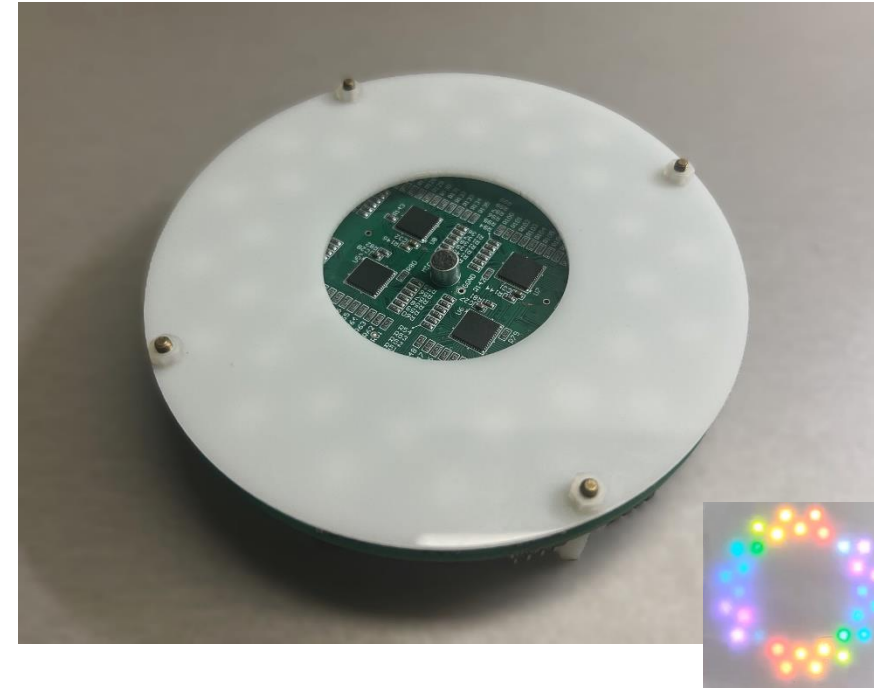
应用

车内照明、LED显示、灯饰

规格

项目	参数
等级	车载
输入电压	9V to 14V
LED配置	RGB x 32pcs
电源电流	900mA
功能	声控同步 RGB照明
参考板尺寸	120mm 圆形

参考板外观



详细信息 (跳转至中国SHOCKLEY公司网站)

<http://www.shockley-elect.com/en/index.html>

主要搭载产品

产品型号	产品分类	特点
BD2808MUV-M	LED驱动器	车载用, 24通道 恒流LED驱动器, 具有6bit DC调光和8bit PWM调光功能 50mA/Ch
BD9P608MFF-C	DC-DC 转换器	车载用, 40V, 6A, Nano Pulse Control技术
ML63Q805x	MCU	车载用, 32bit, ARM® Cortex® M0+ MCU

相关产品

[多通道 恒流LED驱动器](#)

[低失调电压运算放大器](#)

[车载一次侧DC-DC 转换器 \(BD9Pxx系列\)](#)



Electronics for the Future

[点击这里](#)查看其他参考设计

Important Notes on the Use of Reference Designs

- 1) The contents of this document are subject to change without notice for the purpose of improvement.
- 2) ROHM provides reference designs (including, but not limited to, circuit diagrams, layout data, parts lists, reference boards and their evaluation results, etc.) and all materials related to evaluation boards (hereinafter collectively referred to as "Reference Designs, etc.") to customers for the purpose of referencing them in the development of devices, equipment, software, etc. incorporating ROHM products (hereinafter collectively referred to as "Customer Products"). The design, verification, etc. required for the development of the Customer's Product shall be done at the customer's responsibility and expense. In no event shall the customer use the Reference Designs, etc. for any purpose other than the purpose mentioned above.
- 3) Reference Designs, etc. are provided on an "as is" basis. ROHM disclaims all warranties, express or implied, including, but not limited to, warranties of usefulness, functionality, accuracy, merchantability, and fitness for a particular purpose. In no event shall ROHM be liable for any damages (including, but not limited to, lost profits or other incidental, consequential, or punitive damages) arising out of, related to or in connection with the use of or application of the Reference Designs, etc. whether in contract or tort. For the avoidance of doubt, ROHM does not warrant that the Reference Designs, etc. will work with the Customer's Product.
- 4) When using Reference Designs, etc. be sure to request and verify the latest specifications (including the specifications of the products that compose the Reference Design, etc.) separately.
- 5) The customer shall be responsible for implementing safety measures such as derating, redundant design, fire prevention, backup, and fail-safe measures, etc., to prevent personal injury, fire damage, etc., caused by the Customer's Product developed with Reference Designs, etc. ROHM assumes no liability whatsoever for any use in excess of the ratings or in case of failure to observe the instructions for use.
- 6) The application circuit examples, constants, and other information provided in Reference Designs, etc. are intended to illustrate standard operation and usage. Therefore, when designing for mass production, please take into account various external conditions.
- 7) Reference Designs, etc. are intended to show typical operations and examples of application circuits, etc., and do not constitute a license, express or implied, to implement or use any intellectual property rights or any other rights of ROHM or any other company. ROHM shall not be liable for any disputes arising from, related to or in connection with the use of the Reference Designs, etc.
- 8) Please make sure to contact ROHM and obtain ROHM's consent before using the Reference Designs, etc. for the following Customer's Product that requires particularly high reliability. Transportation equipment (in-vehicle, ship, railroad, etc.), trunk line communication equipment, traffic signal equipment, disaster and security equipment, safety equipment, medical equipment, servers, solar cells, power transmission systems, etc.
- 9) Do not use Reference Designs, etc. for the following Customer's Product that requires extremely high reliability. Aerospace equipment, nuclear power control equipment, submarine relay equipment, etc.
- 10) Do not use Reference Designs, etc. for military use, such as development of weapons of mass destruction, or for any other military purpose.
- 11) ROHM does not assume any liability for any accidents or damages caused by non-compliance with the descriptions in this document.
- 12) The information contained in this document has been carefully prepared to ensure accuracy. However, ROHM shall not be liable for any loss or damage incurred by customers due to errors or misprints in this document.
- 13) Do not reproduce or duplicate any part of this document in any form or by any means without ROHM's permission.



Thank you for your accessing to ROHM product informations.
More detail product informations and catalogs are available, please contact us.

ROHM Customer Support System

<http://www.rohm.com/contact/>