



Electronics for the Future

No. 66QS010C REV.002

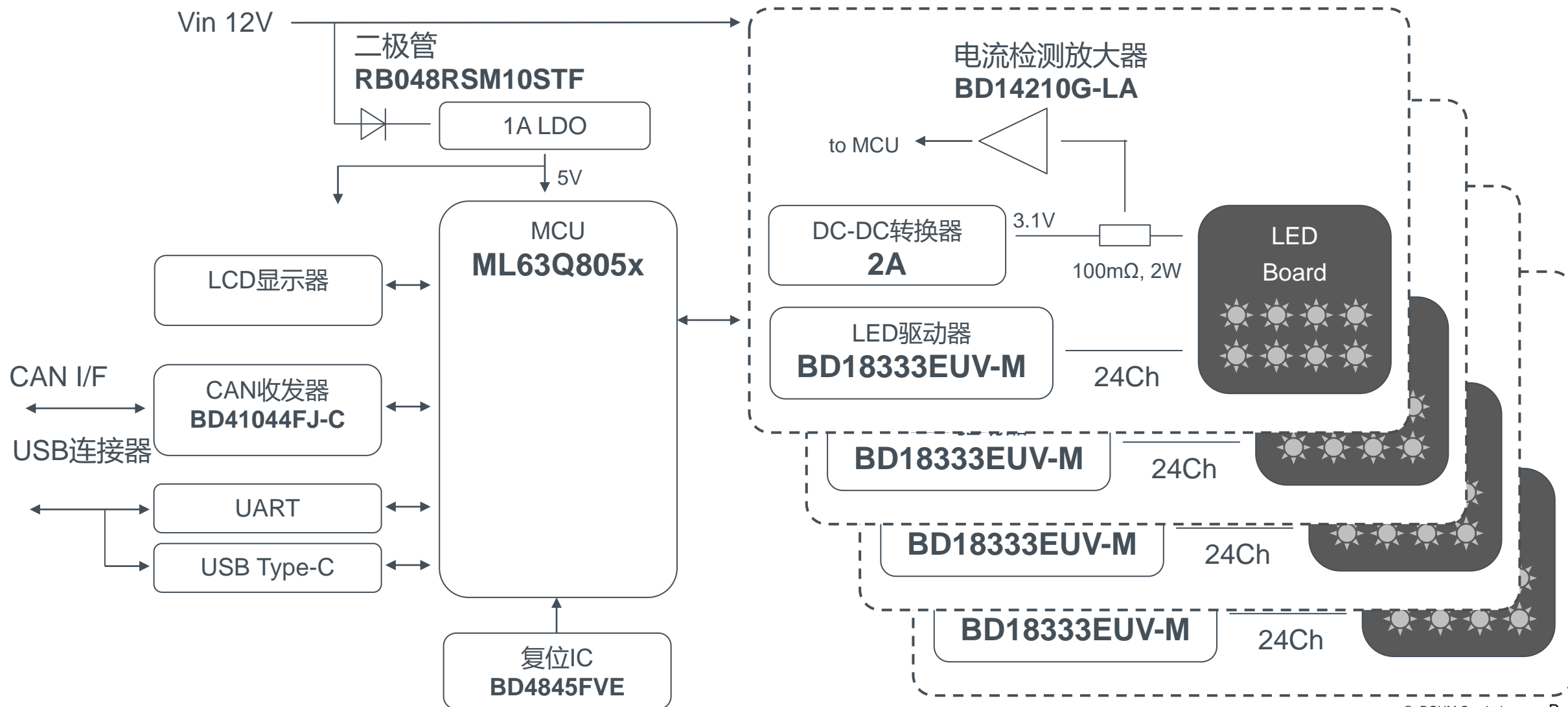
Jun.2024

# REF66006 –参考设计 LED尾灯、转向灯、刹车灯

Designed by



## 框图



## 简介

通过将车灯改为LED灯，可以降低功耗、提高亮度、提高视认性、并提高白天亮灯的安全性。BD18333EUV-M是一款可24通道独立控制的LED驱动器，有助于提高尾灯的性能。

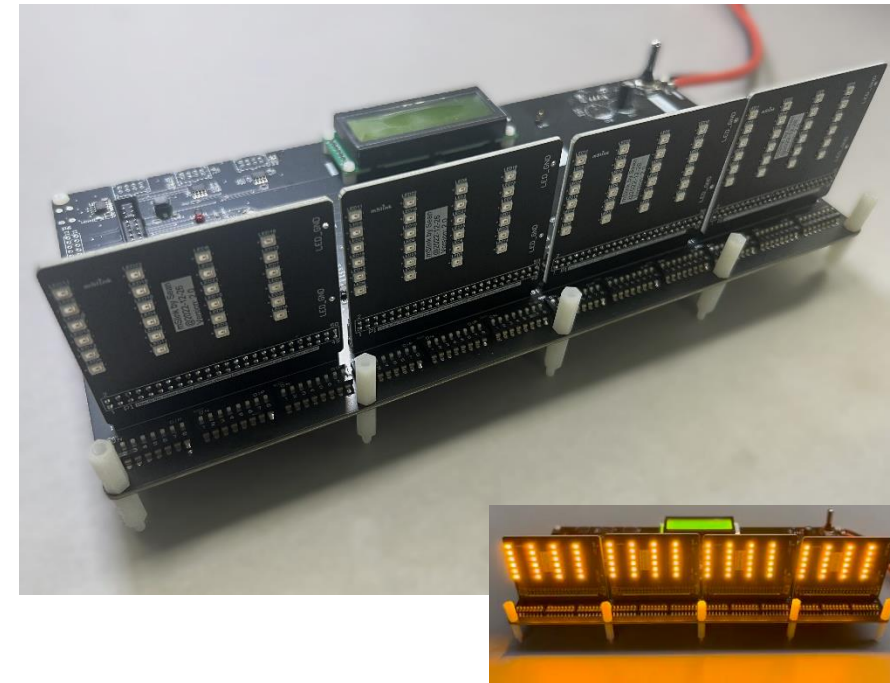
## 应用

汽车尾灯、转向灯、停车灯、日间行车灯

## 规格

项目	参数
等级	车载
输入电压	9V to 14V
LED配置	24pcs/板 x 4块板
电源电流	900mA
功能	亮度斜率控制等
参考板尺寸	主板：282mm x 138mm LED板：66mm x 57mm

## 参考板外观



详细信息 (跳转至中国SHOCKLEY公司网站)

<http://www.shockley-elect.com/en/index.html>

## 主要搭载产品

产品型号	产品分类	特点
<a href="#">BD18333EUV-M</a>	LED驱动器	车载用, 24通道 恒流LED驱动器, 具有8bit DC调光和8bit PWM调光功能, 125mA/Ch
<a href="#">BD41044FJ-C</a>	CAN Transceiver	CAN-FD通信 (完全符合ISO 11898-2:2016标准)
<a href="#">ML63Q805x</a>	MCU	车载, 32bit, ARM® Cortex® M0+ MCU
<a href="#">BD14210G-LA</a>	电流检测放大器	精度1%, 电流检测放大器
<a href="#">BD4845FVE</a>	复位IC	4.5V电压检测器
<a href="#">RB048RSM10STF</a>	SBD	车载用, 100V 8A, TO-277GE, 低IR

## 相关产品

[多通道 恒流LED驱动器](#)

[低失调电压运算放大器](#)

[电流检测放大器](#)

[车载一次侧DC-DC转换器 \(BD9Pxx系列\)](#)

## 相关参考设计

[车灯用 4个系列 1000mA LED驱动器 REFLED008\(BD18353EFV-M/MUF-M\)](#)

[车灯用 8个系列 750mA LED驱动器 REFLED009\(BD18353EFV-M/MUF-M\)](#)

[车灯用 12个系列 500mA LED驱动器 REFLED010\(BD18353EFV-M/MUF-M\)](#)



Electronics for the Future

[点击这里](#)查看其他参考设计

## Important Notes on the Use of Reference Designs

- 1) The contents of this document are subject to change without notice for the purpose of improvement.
- 2) ROHM provides reference designs (including, but not limited to, circuit diagrams, layout data, parts lists, reference boards and their evaluation results, etc.) and all materials related to evaluation boards (hereinafter collectively referred to as "Reference Designs, etc.") to customers for the purpose of referencing them in the development of devices, equipment, software, etc. incorporating ROHM products (hereinafter collectively referred to as "Customer Products"). The design, verification, etc. required for the development of the Customer's Product shall be done at the customer's responsibility and expense. In no event shall the customer use the Reference Designs, etc. for any purpose other than the purpose mentioned above.
- 3) Reference Designs, etc. are provided on an "as is" basis. ROHM disclaims all warranties, express or implied, including, but not limited to, warranties of usefulness, functionality, accuracy, merchantability, and fitness for a particular purpose. In no event shall ROHM be liable for any damages (including, but not limited to, lost profits or other incidental, consequential, or punitive damages) arising out of, related to or in connection with the use of or application of the Reference Designs, etc. whether in contract or tort. For the avoidance of doubt, ROHM does not warrant that the Reference Designs, etc. will work with the Customer's Product.
- 4) When using Reference Designs, etc. be sure to request and verify the latest specifications (including the specifications of the products that compose the Reference Design, etc.) separately.
- 5) The customer shall be responsible for implementing safety measures such as derating, redundant design, fire prevention, backup, and fail-safe measures, etc., to prevent personal injury, fire damage, etc., caused by the Customer's Product developed with Reference Designs, etc. ROHM assumes no liability whatsoever for any use in excess of the ratings or in case of failure to observe the instructions for use.
- 6) The application circuit examples, constants, and other information provided in Reference Designs, etc. are intended to illustrate standard operation and usage. Therefore, when designing for mass production, please take into account various external conditions.
- 7) Reference Designs, etc. are intended to show typical operations and examples of application circuits, etc., and do not constitute a license, express or implied, to implement or use any intellectual property rights or any other rights of ROHM or any other company. ROHM shall not be liable for any disputes arising from, related to or in connection with the use of the Reference Designs, etc.
- 8) Please make sure to contact ROHM and obtain ROHM's consent before using the Reference Designs, etc. for the following Customer's Product that requires particularly high reliability. Transportation equipment (in-vehicle, ship, railroad, etc.), trunk line communication equipment, traffic signal equipment, disaster and security equipment, safety equipment, medical equipment, servers, solar cells, power transmission systems, etc.
- 9) Do not use Reference Designs, etc. for the following Customer's Product that requires extremely high reliability. Aerospace equipment, nuclear power control equipment, submarine relay equipment, etc.
- 10) Do not use Reference Designs, etc. for military use, such as development of weapons of mass destruction, or for any other military purpose.
- 11) ROHM does not assume any liability for any accidents or damages caused by non-compliance with the descriptions in this document.
- 12) The information contained in this document has been carefully prepared to ensure accuracy. However, ROHM shall not be liable for any loss or damage incurred by customers due to errors or misprints in this document.
- 13) Do not reproduce or duplicate any part of this document in any form or by any means without ROHM's permission.



Thank you for your accessing to ROHM product informations.  
More detail product informations and catalogs are available, please contact us.

### ROHM Customer Support System

<http://www.rohm.com/contact/>