

# Low Consumption and High Accuracy Shunt Regulator Built-in High Efficiency and Low Standby Power, CCM corresponding Secondary Side Synchronous Rectification Controller IC

**BM1R00146F BM1R00147F BM1R00148F BM1R00149F BM1R00150F**

## General Description

BM1R00146F-150F are synchronous rectification controller to be used in the secondary-side output. It has a built-in low consumption and high accuracy shunt regulator, which significantly reduces standby power. The shunt regulator is constructed in a completely independent chip that enables it to operate as a GND reference even when used in high side.

At continuous mode operation, further space saving can be realized when operating without the input switching synchronizing signal of the primary side.

BM1R00146F-150F also features a wide operating power supply voltage range of 2.7V to 32V for various output applications.

Finally, by adopting the high-voltage 120V process, it is possible to monitor the drain voltage directly.

## Features

- Built-in Low Consumption Shunt Regulator Reducing Standby Power Consumption
- Synchronous Rectification FET Supports High and Low Side
- 120V High Voltage Process DRAIN terminal
- Wide Input Operating Voltage Range of 2.7V to 32V
- Supports LLC and PWM QR Controller
- No Input Required on the Primary-Side at CCM
- Built-in Overvoltage Protection for SH\_IN and SH\_OUT Terminal
- Built-in Thermal Shutdown Function
- Built-in Auto Shutdown Function
- SOP8 package

## Applications

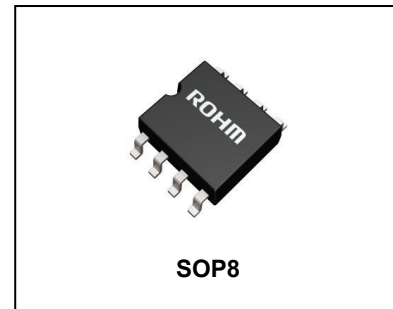
- AC-DC Output Power Conversion Applications: Charger, Adapter, TV, Rice Cooker, Humidifier, Air Conditioning, Vacuum Cleaner, etc.

## Key Specifications

- Input Voltage Range: 2.7V to 32V
- Circuit Current (No Switching): 800μA(Typ)
- Circuit Current (Auto Shutdown) : 120μA (Typ)
- DRAIN Terminal Absolute Voltage: 120V
- Operating Temperature Range: -40°C to +105°C

## Package

**W(Typ) x D(Typ) x H(Max)**  
5.00mm x 6.20mm x 1.71mm



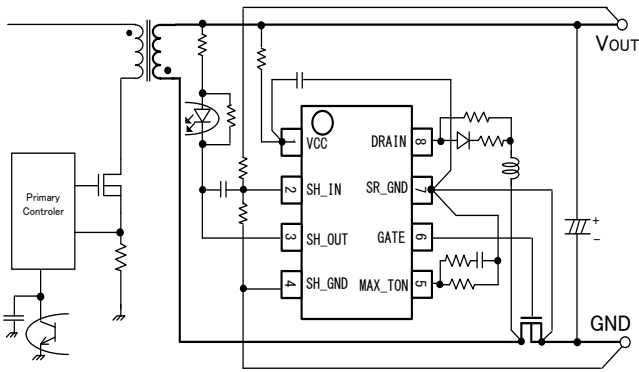
## Lineup Table

### Auto Restart Protection Series

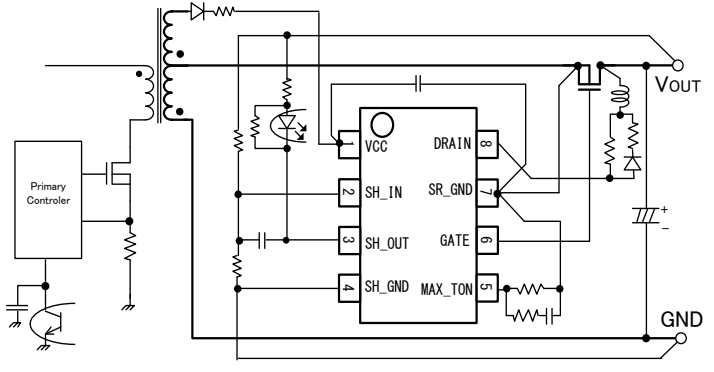
Part Number	Compulsion ON Time (μs)	Compulsion OFF Time (μs)
BM1R00146F	NONE	1.3
BM1R00147F	NONE	2
BM1R00148F	NONE	3
BM1R00149F	NONE	3.6
BM1R00150F	NONE	4.6

Part Number	SH_IN OVP	SH_OUT OVP	TSD
BM1R00146F	Auto Restart	Auto Restart	Auto Restart
BM1R00147F			
BM1R00148F			
BM1R00149F			
BM1R00150F			

Typical Application Circuits



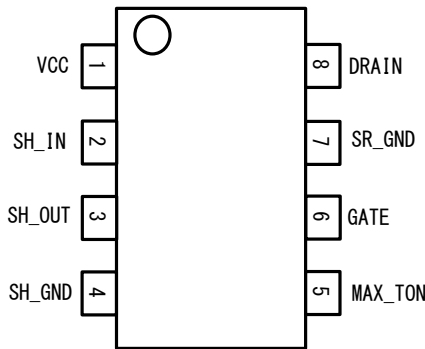
Low Side Application (FLYBACK)



High Side Application (FLYBACK)

Pin Configuration

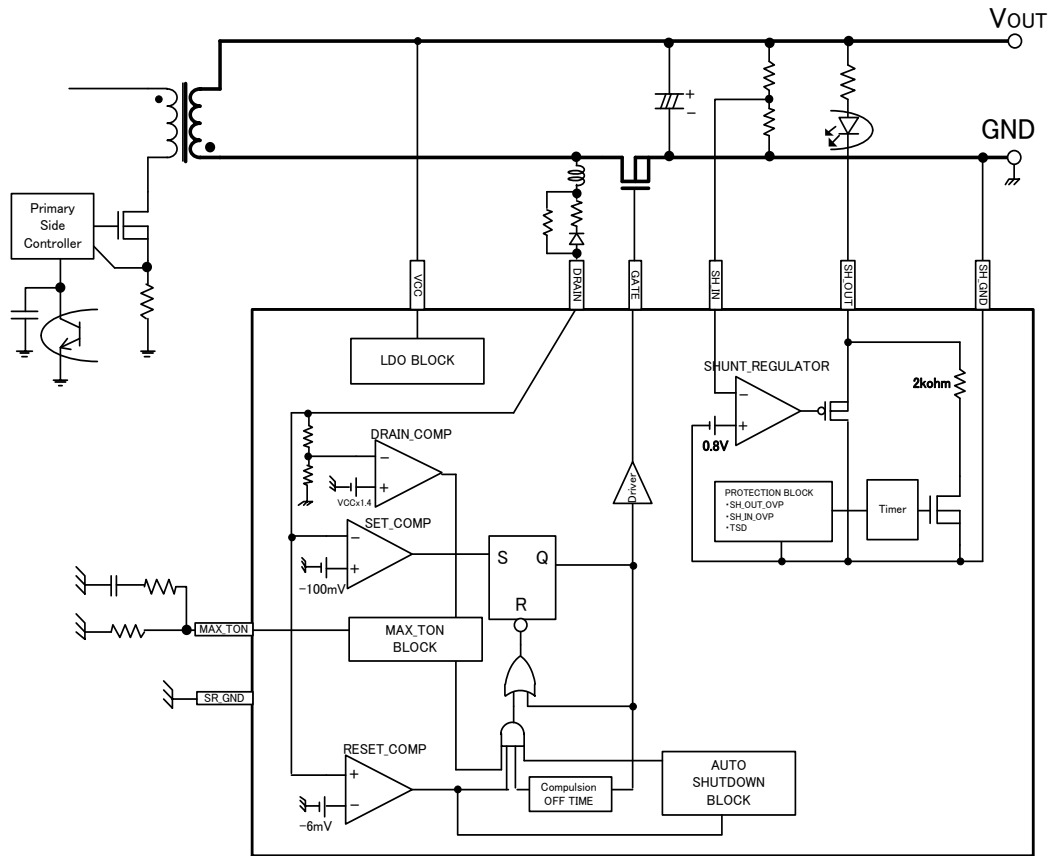
(TOP VIEW)



Pin Description

Pin No.	Pin Name	Function
1	VCC	Power supply
2	SH_IN	Shunt regulator reference
3	SH_OUT	Shunt regulator output
4	SH_GND	Shunt regulator ground
5	MAX_TON	Set maximum on time
6	GATE	Gate drive
7	SR_GND	Synchronous rectification ground
8	DRAIN	DRAIN monitor

Block Diagram



**Description of Block**

1. **SET COMP Block**

Monitors the DRAIN terminal voltage, and outputs a signal to turn ON the FET if the DRAIN terminal voltage is less than or equal to -100mV (Typ).

2. **RESET COMP Block**

Monitors the DRAIN terminal voltage and outputs a signal to turn OFF the FET if the DRAIN terminal voltage is more than or equal to -6mV (Typ).

3. **Compulsion OFF TIME Block**

When the FET is turned OFF due to RESET\_COMP detection, resonance waveforms appear on the DRAIN terminal. To prevent the noise from turning ON the FET, an OFF state should be forced for a certain time. Compulsion OFF time is within a range of 1.3μs to 4.6μs, which is different for each series number (refer to page.1 table).

Operation sequence of each block is shown on the figure below.

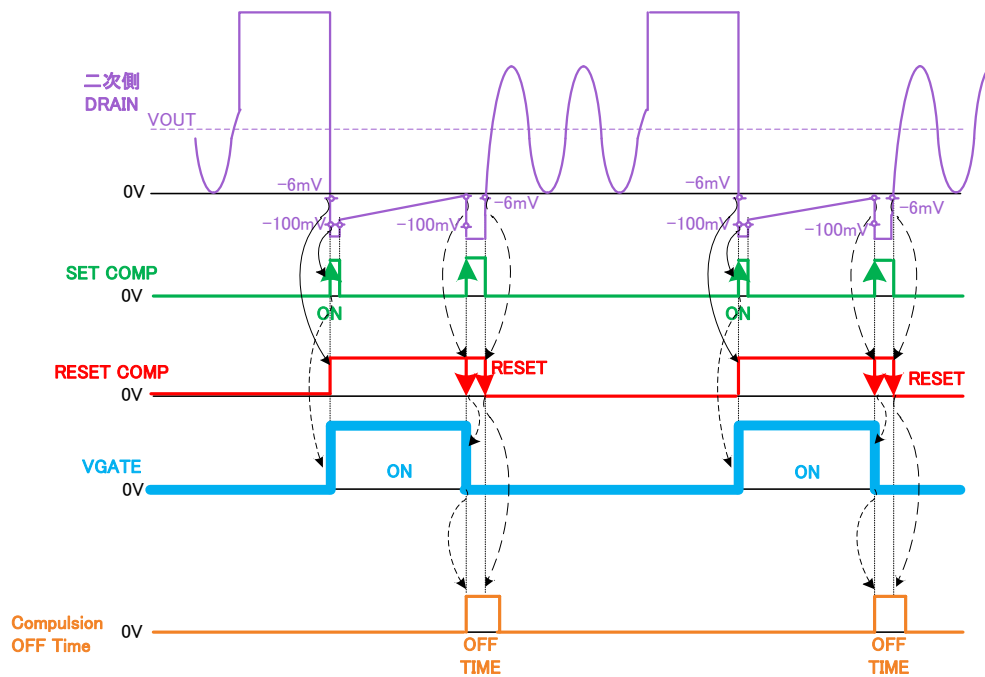


Figure 1. Operation sequence

**About Maximum Input Frequency**

The Maximum Operating Frequency of the IC depends on the Compulsion ON/OFF Time. For example, BM1R00146F Compulsion ON Time is equal to 0μs (None), Compulsion OFF Time is equal to 1.3μs. Considering a variation of 9%, the maximum input frequency is given by the following:

$$f_{MAX} = 1 / ((0\mu s + 1.3\mu s) \times 1.09) = 706\text{kHz}$$

However, since the frequency varies greatly due to the input voltage and load, it will be necessary to select the series in accordance with each application.

Description of Block – continued

4. **MAX\_TON Block**

MAX\_TON block sets the maximum ON time. DRAIN terminal voltage starts counting when the rising edge of the output voltage exceeds  $V_{CC} \times 1.4V$  (Typ). In addition, the recounting starts when it detects another rising edge. The synchronous rectification FET will be forced OFF after the set time has elapsed. The time can be adjusted by varying the resistance value of the resistor connected to the MAX\_TON terminal.

The relationship between the resistance value ( $R_{MAX\_TON}$ ) and set time ( $T_{MAX\_TON}$ ) is described as follows:

$$R_{MAX\_TON} (k\Omega) = t_{MAX\_TON} (\mu s) \times 10(k\Omega / \mu s)$$

Calculation Example:

If you want to set the maximum ON time to  $10\mu s$ , the value of  $R_{MAX\_TON}$  is as follows:

$$10\mu s \times 10(k\Omega / \mu s) = 100k\Omega$$

However, the formula above is for an ideal approximation only; it is still strongly advised that the operation of the actual application should still be verified.

By setting this time, it becomes possible to prevent the simultaneous ON operation of the primary side and the secondary side in continuous mode.

The drive sequence in continuous mode operation is shown in the figure below:

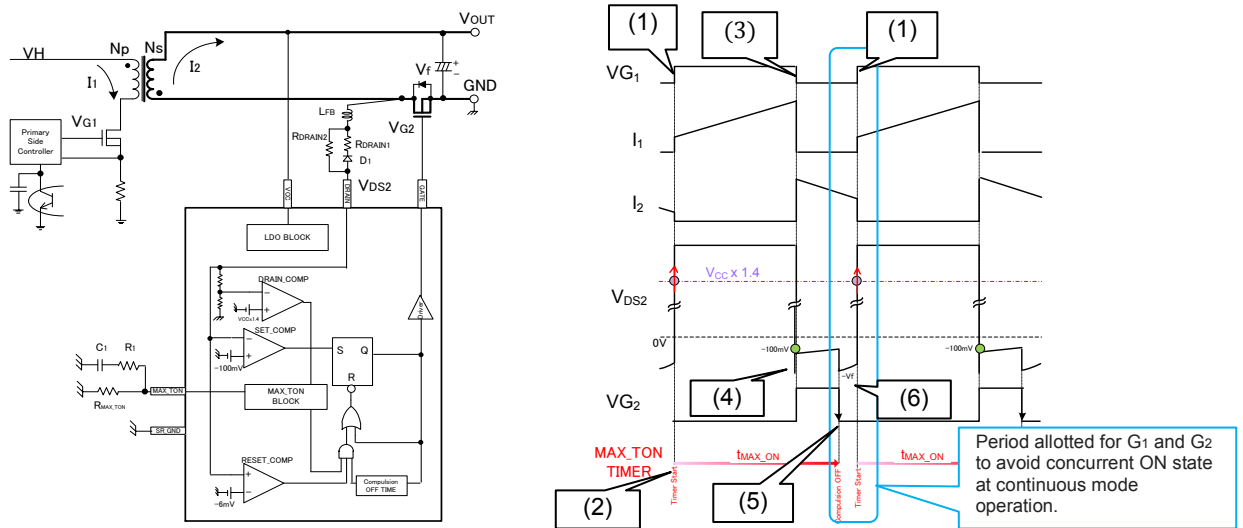


Figure 2. The drive sequence in continuous mode operation

- (1) Primary side FET = ON. Current  $I_1$  flows to the primary side FET. Secondary side drain voltage  $V_{DS2}$  rises.
- (2) The  $V_{DS2} = V_{CC} \times 1.4$  detects the rise edge of the threshold, MAX\_TON timer start.
- (3) Primary side FET = OFF. Current  $I_2$  flows through the Body Diode of the secondary side FET (OFF state).
- (4) Secondary side drain voltage  $V_{DS2} < -100mV$  by  $I_2$  Current, Secondary side FET=ON.
- (5) Elapsed the set time in MAX\_TON terminals, the secondary-side FET = compulsory OFF.
- (6) Since the  $I_2$  current flows through the Body Diode,  $V_f$  voltage occurs.

Moreover, in order to reduce as much as possible the influence of the switching noise, resistor  $R_1$  in series should be connected to the MAX\_TON terminal. The capacitance should approximately be 1000pF, and the resistance value is recommended to be around 1kΩ. This also serves as phase compensation of MAX\_TON terminal and therefore should be connected.

This function may be disabled by pulling up the MAX\_TON terminal to VCC pin in quasi-resonant and current resonance applications which do not operate on continuous mode. The 1000pF and 1kΩ resistor is also unnecessary.

5. **AUTO SHUTDOWN Block**

The Auto Shutdown block automatically turns the synchronous rectification ON/OFF depending on the presence or absence of the DRAIN terminal pulse. Shutdown occurs if the input pulses on the DRAIN terminal has more than 200us between pulses. This stops the synchronous rectification operation. The IC will restart the synchronous rectification after it detects 265 occurrences of input pulses on the DRAIN terminal.

6. **SHUNT REGULATOR Chip**

A high-accuracy shunt regulator with low consumption is used for controlling the output voltage of the AC/DC. Since the synchronous rectification and the shunt regulator are built in a completely different chip, GND separation is possible. Therefore, it becomes possible to place the shunt regulator on the secondary-side GND reference in the synchronous rectification applications in case of disposing the High Side FET. It can also be used as protection for the comparator, the secondary side OVP, FET overheat protection, etc.

7. **PROTECTION Block**

When an abnormal condition is detected after the timer count is completed, the photo coupler from SH\_OUT terminal is driven to stop the switching operation on the primary side.

**Absolute Maximum Ratings (Ta = 25°C)**

Parameter	Symbol	Rating	Unit
VCC Input Voltage	V <sub>MAX_VCC</sub>	-0.3 to +40 <sup>(Note 1)</sup>	V
MAX_TON Input Voltage	V <sub>MAX_MAX_TON</sub>	-0.3 to +40 <sup>(Note 1)</sup>	V
SH_IN Input Voltage	V <sub>MAX_SH_IN</sub>	-0.3 to +40 <sup>(Note 2)</sup>	V
SH_OUT Input Voltage	V <sub>MAX_SH_OUT</sub>	-0.3 to +40 <sup>(Note 2)</sup>	V
Gate Input Voltage	V <sub>MAX_GATE</sub>	-0.3 to 15.5 <sup>(Note 1)</sup>	V
Drain Input Voltage	V <sub>MAX_DRAIN</sub>	120 <sup>(Note 1)(Note 3)</sup>	V
Maximum Junction Temperature	T <sub>jmax</sub>	+150	°C
Operating Temperature Range	Topr	-40 to +105	°C
Storage Temperature	Tstr	-55 to +150	°C

(Note 1) Reference SR\_GND

(Note 2) Reference SH\_GND

(Note 3) When a negative voltage is applied, current flows through the ESD protection device.

This current value is about 6mA or less and will require a current limiting resistor to the DRAIN terminal

**Caution:** Operating the IC over the absolute maximum ratings may damage the IC. The damage can either be a short circuit between pins or an open circuit between pins and the internal circuitry. Therefore, it is important to consider circuit protection measures, such as adding a fuse in case the IC is operated over the absolute maximum ratings.

**Thermal Resistance (Note 1)**

Parameter	Symbol	Thermal Resistance (Typ)		Unit
		1s <sup>(Note 3)</sup>	2s2p <sup>(Note 4)</sup>	
SOP8				
Junction to Ambient	θ <sub>JA</sub>	197.4	109.8	°C/W
Junction to Top Characterization Parameter <sup>(Note 2)</sup>	Ψ <sub>JT</sub>	21	19	°C/W

(Note 1) Based on JESD51-2A(Still-Air)

(Note 2) The thermal characterization parameter to report the difference between junction temperature and the temperature at the top center of the outside surface of the component package.

(Note 3) Using a PCB board based on JESD51-3.

(Note 4) Using a PCB board based on JESD51-7.

Layer Number of Measurement Board	Material	Board Size
Single	FR-4	114.3mm x 76.2mm x 1.57mmt

Top	
Copper Pattern	Thickness
Footprints and Traces	70µm

Layer Number of Measurement Board	Material	Board Size
4 Layers	FR-4	114.3mm x 76.2mm x 1.6mmt

Top		2 Internal Layers		Bottom	
Copper Pattern	Thickness	Copper Pattern	Thickness	Copper Pattern	Thickness
Footprints and Traces	70µm	74.2mm x 74.2mm	35µm	74.2mm x 74.2mm	70µm

**Recommended Operating Conditions (Ta = 25°C)**

Parameter	Symbol	Min	Typ	Max	Unit
Supply Voltage	V <sub>CC</sub>	2.7	20	32	V
MAX_TON Resistor Range	R <sub>MAX_TON</sub>	56	-	300	kΩ
MAX_TON R1	R <sub>1</sub>	0.5	1	2	kΩ
MAX_TON C1	C <sub>1</sub>	680	1000	2200	pF

**Electrical Characteristics (Unless otherwise specified V<sub>CC</sub>=20V Ta=25°C)**

Parameter	Symbol	Spec			Unit	Conditions
		MIN	TYP	MAX		
<b>Circuit Current</b>						
Circuit Current1	I <sub>ON1</sub>	0.5	1	2	mA	f <sub>sw</sub> =50kHz at Switching Mode (GATE=OPEN)
Circuit Current at Sleep Mode	I <sub>SLEEP</sub>	60	120	200	μA	At Shutdown Mode
Circuit Current at Normal Mode	I <sub>ACT</sub>	350	800	1400	μA	Switching STOP Mode
Circuit Current at UVLO Mode	I <sub>OFF</sub>	18	35	60	μA	V <sub>CC</sub> =1.9V
<b>VCC Item</b>						
VCC UVLO Threshold Voltage1	V <sub>UVLO1</sub>	2.00	2.30	2.65	V	V <sub>CC</sub> Sweep Up
VCC UVLO Threshold Voltage2	V <sub>UVLO2</sub>	1.95	2.25	2.60	V	V <sub>CC</sub> Sweep Down
<b>SR Controller BLOCK</b>						
GATE Turn ON Threshold	V <sub>GONN</sub>	-150	-100	-50	mV	V <sub>DRAIN</sub> =+300mV to -300mV
GATE Turn OFF Threshold	V <sub>GOFF</sub>	-10	-6	-1	mV	V <sub>DRAIN</sub> =-300mV to +300mV
Compulsion OFF Time <sup>(Note 5)</sup>	t <sub>COFF</sub>	1.140	1.300	1.460	μs	BM1R00146F
		1.700	2.000	2.300	μs	BM1R00147F
		2.730	3.000	3.270	μs	BM1R00148F
		3.276	3.600	3.924	μs	BM1R00149F
		4.186	4.600	5.014	μs	BM1R00150F
<b>MAX_TON BLOCK</b>						
MAX_TON Timer Start Threshold Voltage	V <sub>MAX_ON_START</sub>	24	28	32	V	V <sub>CC</sub> =20V, DRAIN Terminal Voltage
MAX_TON Timer	t <sub>MAX_ON</sub>	9.4	10	10.6	μs	R <sub>MAX_TON</sub> =100kΩ, V <sub>CC</sub> =3V, V <sub>DRAIN</sub> =-0.3↔7V
MAX_TON Output Voltage	V <sub>MAX_ON</sub>	0.24	0.40	0.56	V	
<b>Auto Shutdown BLOCK</b>						
Auto Shutdown Detect Time	t <sub>SHD</sub>	120	200	320	μs	No Pulse to DRAIN Terminal
Auto Shutdown Cancel Pulse Number	P <sub>ACT</sub>	-	265	-	time	Input Pulse to DRAN Terminal
<b>Drain Monitor BLOCK</b>						
Drain Sink Current	I <sub>D_SINK</sub>	130	250	550	μA	V <sub>DRAIN</sub> =120V
Drain Terminal Source Current1	I <sub>DRAIN_SO1</sub>	-23	-11	-5	μA	V <sub>DRAIN</sub> =0.1V
Drain Terminal Source Current2	I <sub>DRAIN_SO2</sub>	-3	-1	-0.3	μA	V <sub>DRAIN</sub> =-0.2V
<b>Driver BLOCK</b>						
GATE Terminal High Voltage	V <sub>GATE_H1</sub>	11	12	14	V	V <sub>CC</sub> =20V
High Side FET ON-Resistance (V <sub>CC</sub> =2.7V)	R <sub>HIONR1</sub>	12.0	23.0	50.0	Ω	V <sub>CC</sub> =2.7V, I <sub>OUT</sub> = -10mA
High Side FET ON-Resistance (V <sub>CC</sub> =5V)	R <sub>HIONR2</sub>	6.0	12.0	24.0	Ω	V <sub>CC</sub> =5.0V, I <sub>OUT</sub> = -10mA
High Side FET ON-Resistance (V <sub>CC</sub> =10V)	R <sub>HIONR3</sub>	4.0	9.0	18.0	Ω	V <sub>CC</sub> =10V, I <sub>OUT</sub> = -10mA
Low Side FET ON-Resistance (V <sub>CC</sub> =2.7V)	R <sub>LOWONR1</sub>	1.1	2.2	4.4	Ω	V <sub>CC</sub> =2.7V, I <sub>OUT</sub> = +10mA
Low Side FET ON-Resistance (V <sub>CC</sub> =5V)	R <sub>LOWONR2</sub>	0.9	1.8	3.6	Ω	V <sub>CC</sub> =5.0V, I <sub>OUT</sub> = +10mA
Propagation Delay to FET Turn ON	t <sub>DELAY_ON</sub>	-	50	-	ns	V <sub>DRAIN</sub> =+300mV to -300mV
Propagation Delay to FET Turn OFF	t <sub>DELAY_OFF</sub>	-	100	-	ns	V <sub>DRAIN</sub> =-300mV to +300mV

(Note 5) See the lineup table in page1.

Electrical Characteristics (Unless otherwise specified  $V_{SH\_OUT}=20V$   $T_a=25^{\circ}C$ )

Parameter	Symbol	Spec			Unit	Conditions
		MIN	TYP	MAX		
<b>Shunt Regulator BLOCK (Other Chip)</b>						
Reference Voltage	$V_{SHREF}$	0.796	0.800	0.804	V	$V_{SH\_OUT}=5V$ SH_OUT Sink Current =100 $\mu$ A
Reference Voltage Changing Ratio by Temperature	$\Delta V_{SHEMP}$	-	-4	-	mV	$V_{SH\_OUT}=5V$ SH_OUT Sink Current =100 $\mu$ A Temperature=25 $^{\circ}C$ to 105 $^{\circ}C$
SH_OUT Coefficient of the Reference Voltage1	$\Delta V_{SHREF1}$	-	1	-	mV	$V_{SH\_OUT}=2.7V$ to 5V SH_OUT Sink Current =100 $\mu$ A
SH_OUT Coefficient of the Reference Voltage2	$\Delta V_{SHREF2}$	-	2	-	mV	$V_{SH\_OUT}=5V$ to 20V SH_OUT Sink Current =100 $\mu$ A
Reference Input Current	$I_{SH\_IN}$	-0.2	0.0	0.2	$\mu$ A	$V_{SH\_IN}=2V$
Dynamic Impedance1	$Z_{SH\_OUT1}$	-	0.3	-	$\Omega$	SH_OUT Sink Current =100 $\mu$ A to 300 $\mu$ A ( $V_{SH\_OUT}=2.7V$ )
Dynamic Impedance2	$Z_{SH\_OUT2}$	-	0.2	-	$\Omega$	SH_OUT Sink Current =100 $\mu$ A to 300 $\mu$ A ( $V_{SH\_OUT}=20V$ )
SH_OUT Current at SH_IN=Low	$I_{SH\_OUT}$	20	40	75	$\mu$ A	$V_{SH\_IN}=0V$ , $V_{SH\_OUT}=20V$
SH_OUT Sink Current	$I_{SH\_OUT\_MIN}$	1	-	-	mA	$V_{SH\_IN}=0.85V$ , $V_{SH\_OUT}=2.7V$
SH_IN OVP Detection Voltage1	$V_{SHI\_OVP1}$	0.90	1.00	1.10	V	$V_{SH\_IN}$ = Sweep Up
SH_IN OVP Detection Voltage2	$V_{SHI\_OVP2}$	0.85	0.95	1.05	V	$V_{SH\_IN}$ = Sweep Down
SH_OUT OVP Detection Voltage1	$V_{SHO\_OVP1}$	32.5	35	37.5	V	$V_{SH\_OUT}$ Sweep Up
SH_OUT OVP Detection Voltage2	$V_{SHO\_OVP2}$	31.5	34	36.5	V	$V_{SH\_OUT}$ Sweep Down
Protection Timer	$t_{PROTECTION}$	100	200	300	$\mu$ s	
SH_OUT Sink Current at Protection Mode	$I_{PROTECTION}$	1.3	2.5	5	mA	$V_{SH\_OUT}=5V$ , $V_{SH\_IN}=0V$



Typical Performance Curves

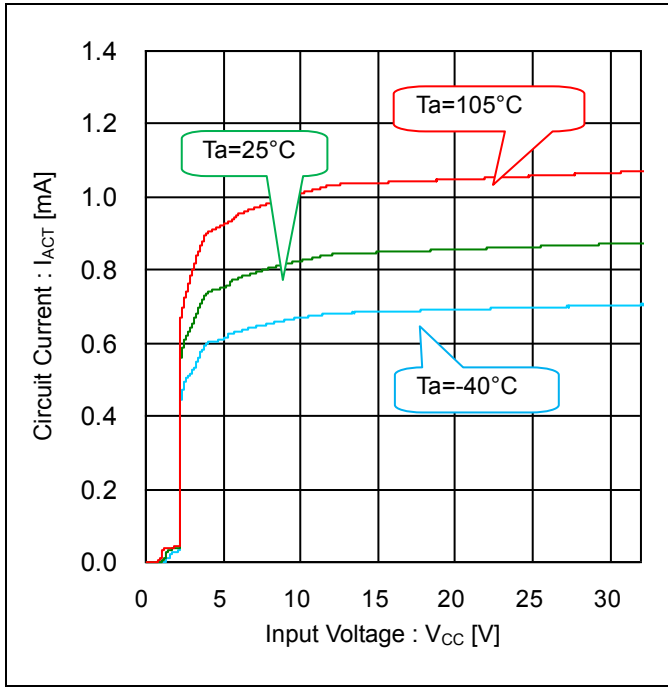


Figure 3. Circuit Current vs Input Voltage (Stop Switching State)

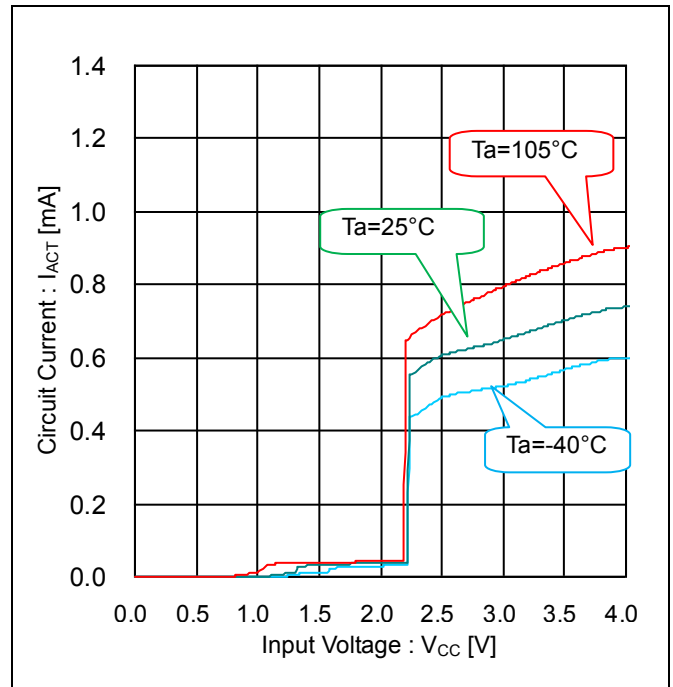


Figure 4. Circuit Current vs Input Voltage (Stop Switching State VCC Zoom)

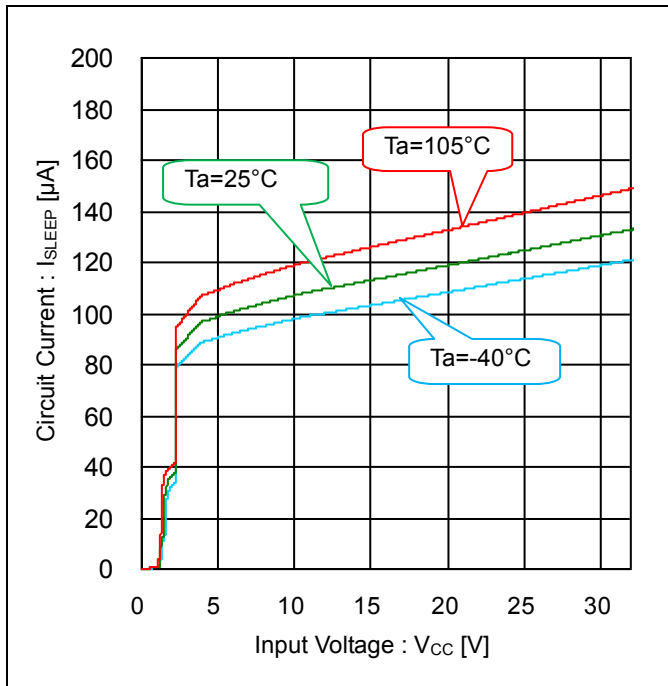


Figure 5. Circuit Current vs Input Voltage (at Shut Down State)

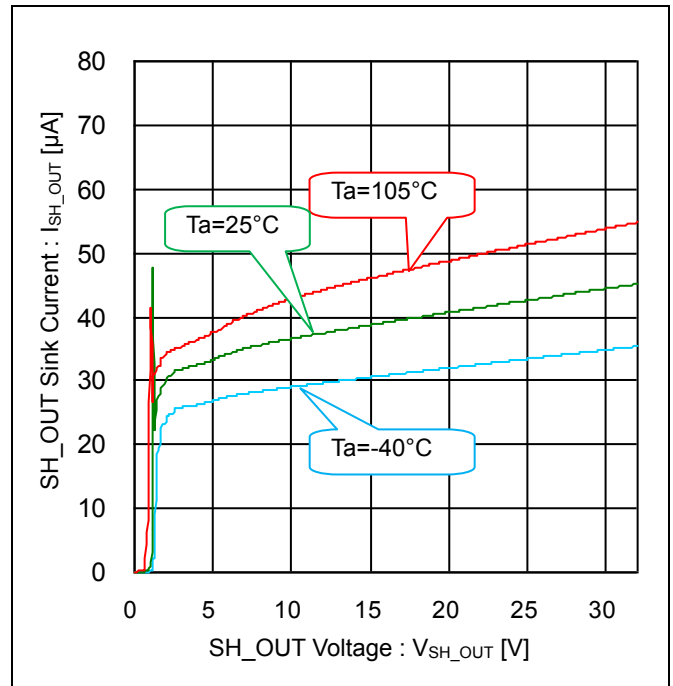


Figure 6. Circuit Current vs SH\_OUT Voltage (V<sub>SH\_IN</sub>=0V)

Typical Performance Curves - continued

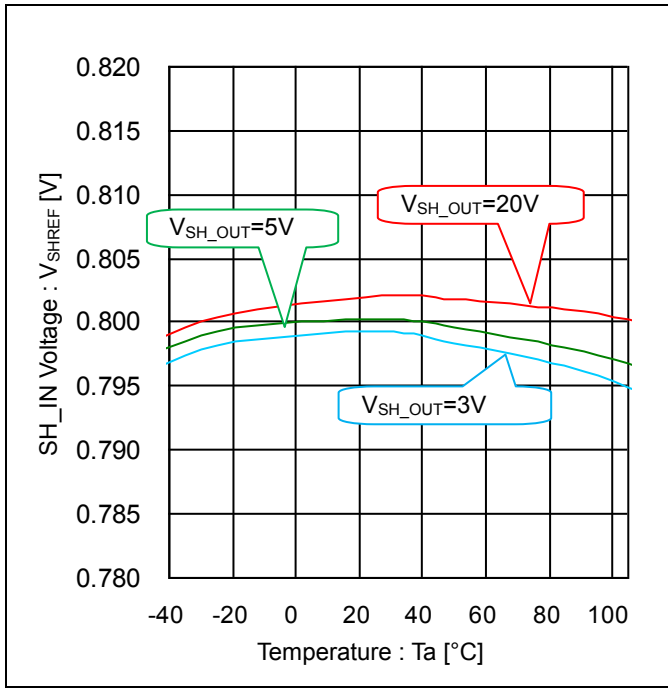


Figure 7. SH\_IN Voltage vs Temperature (I<sub>SH\_OUT</sub>=100μA)

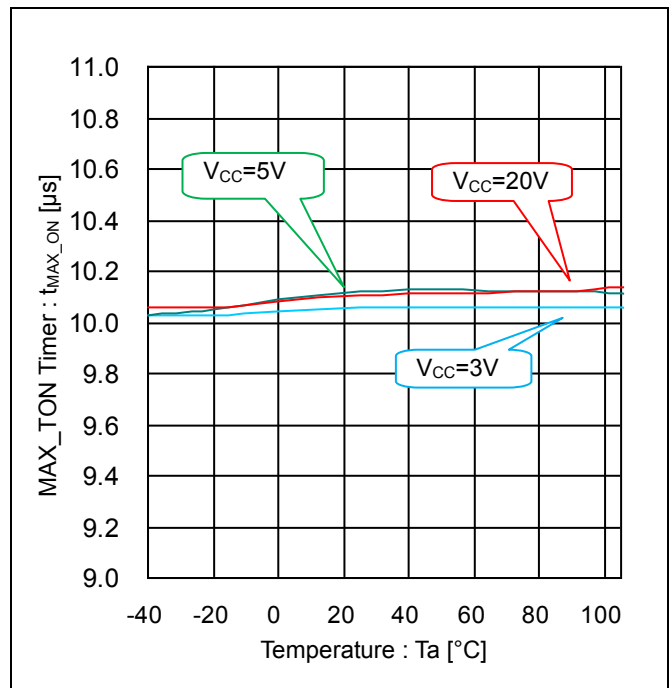


Figure 8. MAX\_TON Timer vs Temperature (R<sub>MAX\_TON</sub>=100kΩ, V<sub>DRAIN</sub>=-0.3V<->V<sub>CC</sub> x 2)

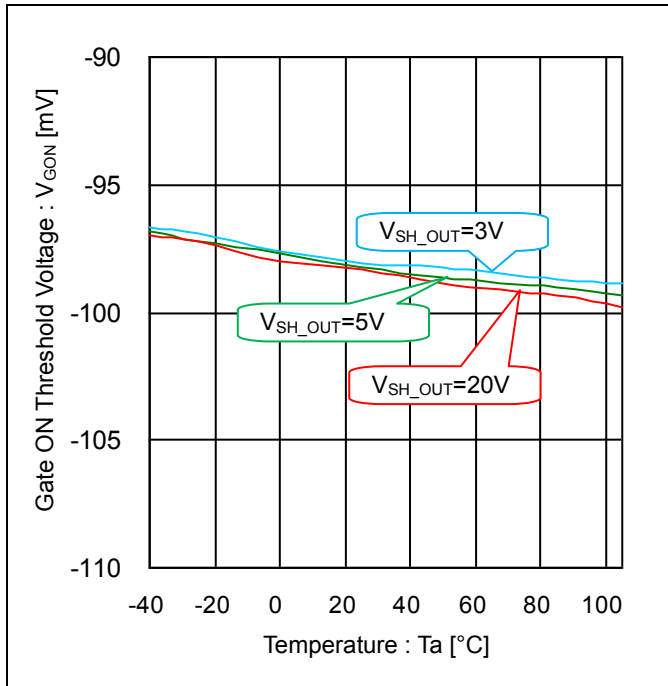


Figure 9. Gate ON Threshold vs Temperature (DRAIN Sweep Down)

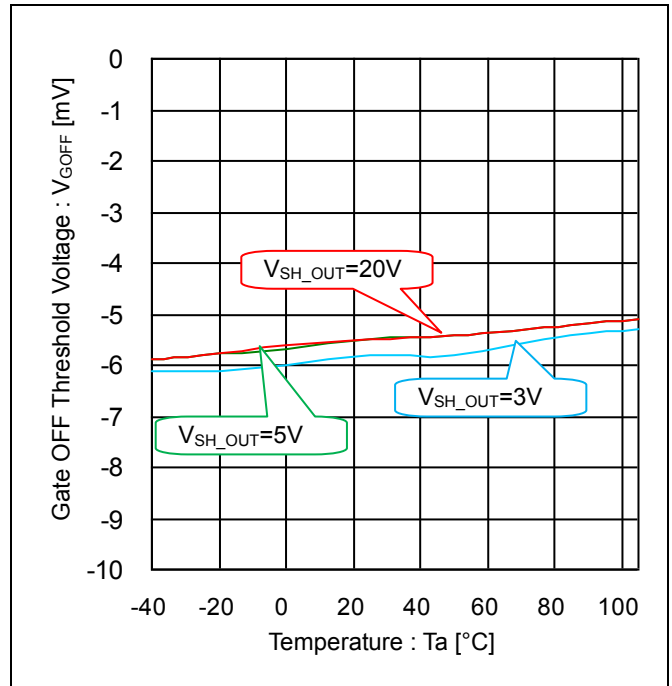


Figure 10. Gate OFF Threshold vs Temperature (DRAIN Sweep Up)

Typical Performance Curves - continued

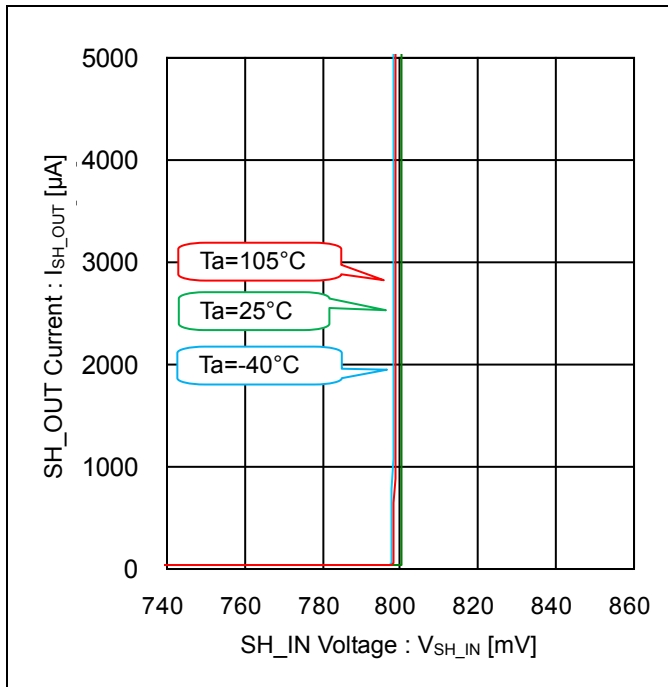


Figure 11. SH\_OUT Current vs SH\_IN Voltage (V<sub>SH\_OUT</sub>=5V)

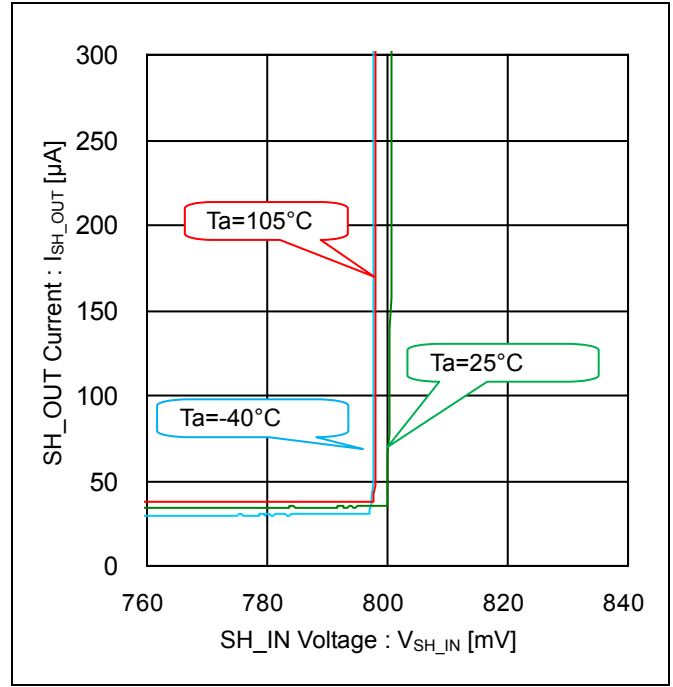


Figure 12. SH\_OUT Current vs SH\_IN Voltage (V<sub>SH\_OUT</sub>=5V, ZOOM UP)

Timing Chart

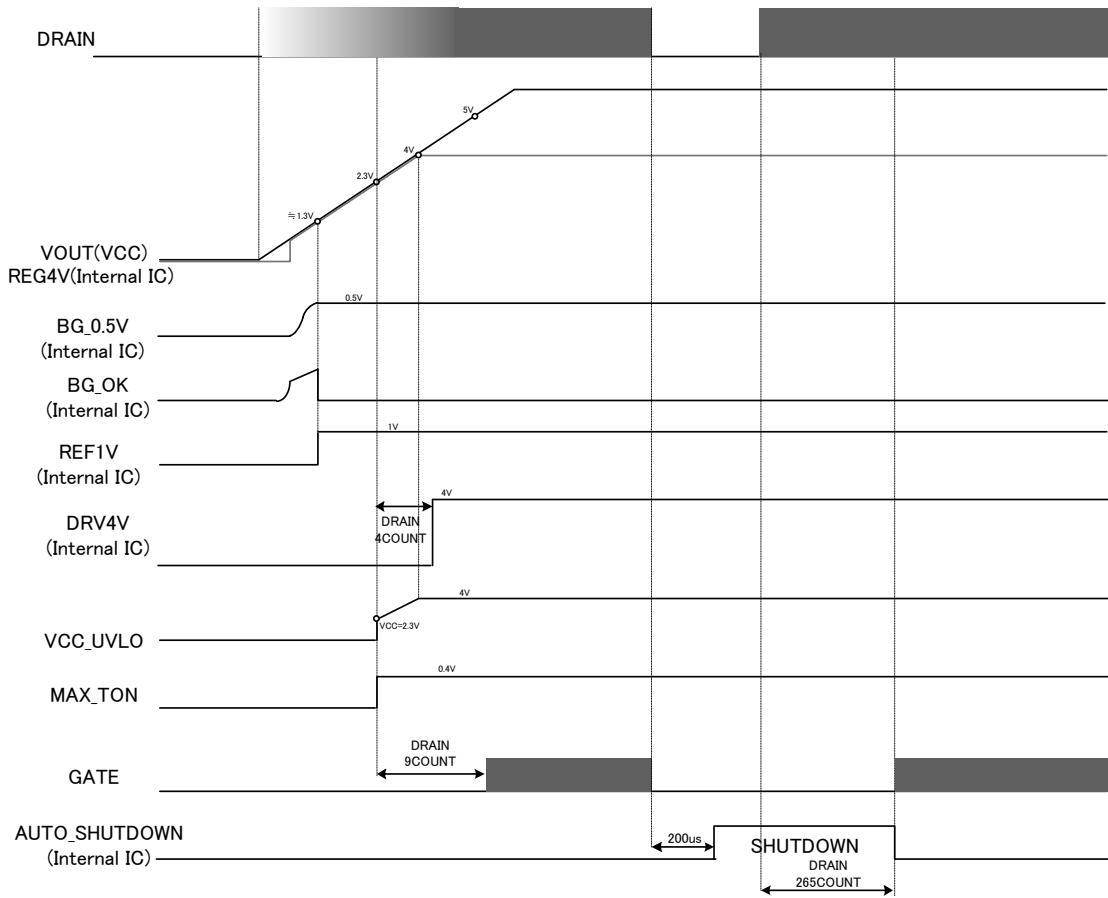


Figure 13. Start Up Sequence

Application Examples

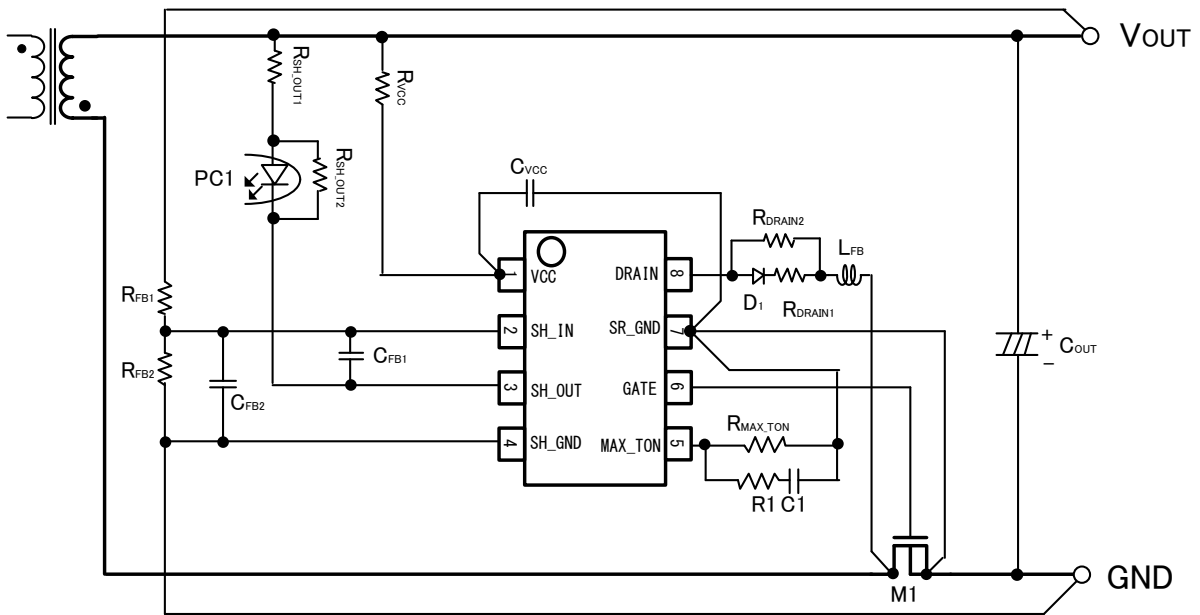


Figure 14. Flyback Application Circuit (Low Side FET)

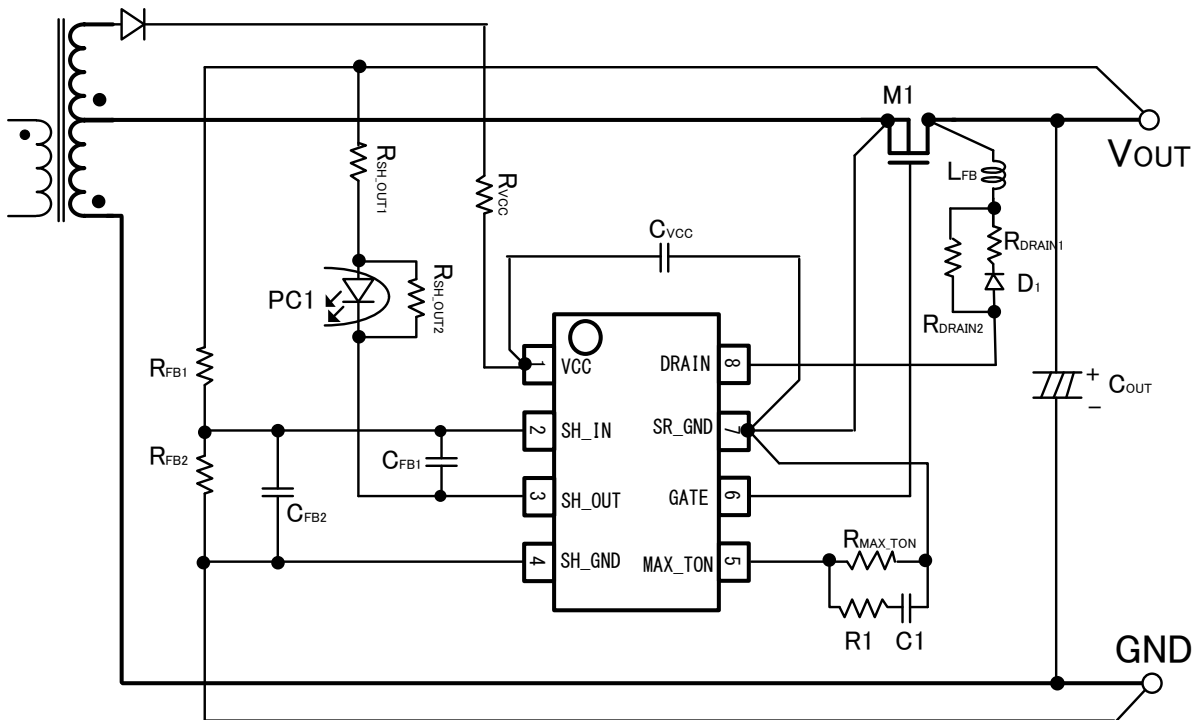


Figure 15. Flyback Application Circuit (High Side FET)

Built-in shunt regulator in the IC has been completely separated from internal and synchronous rectification control IC. Therefore, the shunt regulator is possible to be used as a GND reference in High Side type of flyback application.

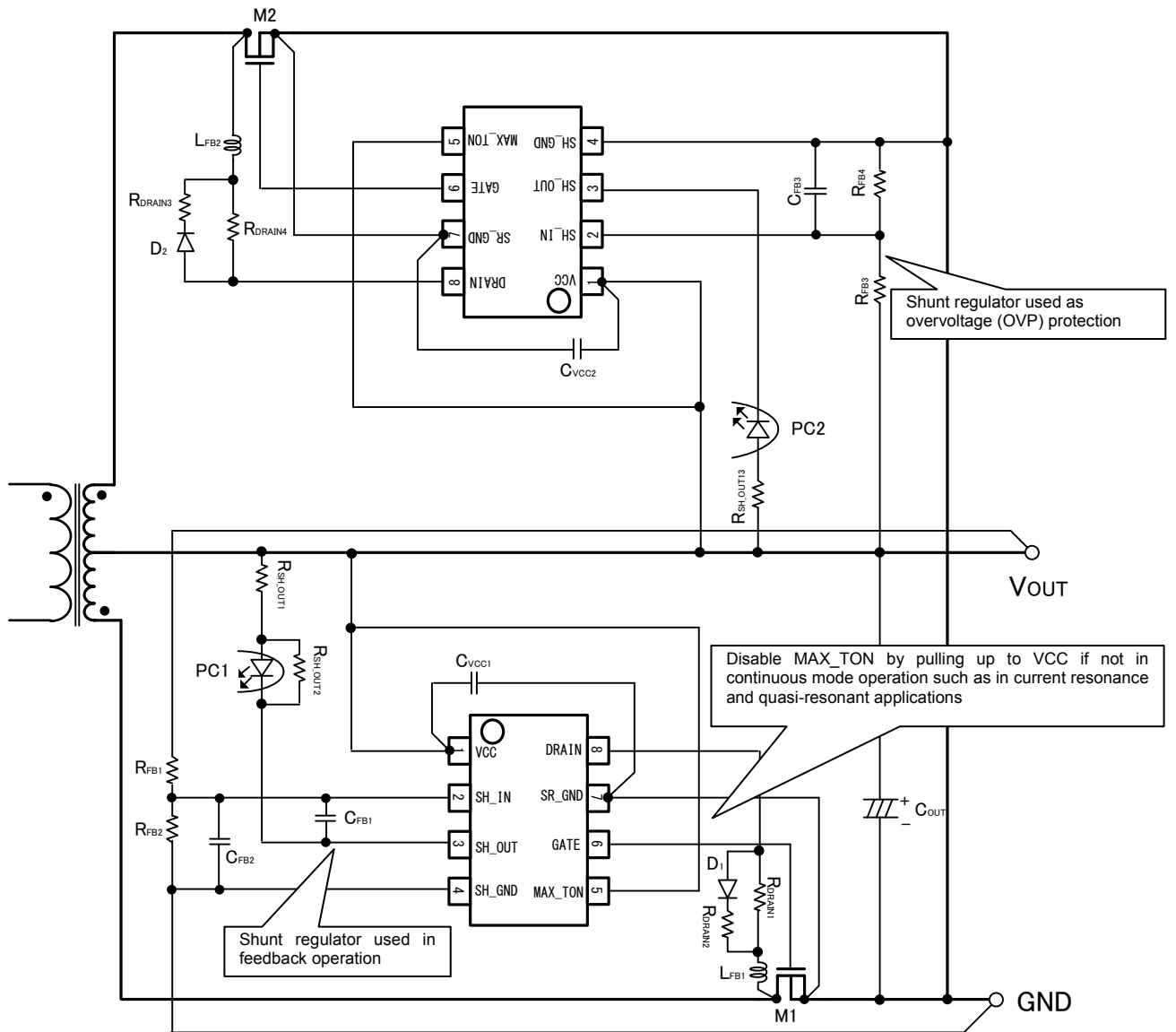


Figure 16. Resonant Half-bridge Application Circuit

**Regarding Protection Applications**

The built-in shunt regulator is high-voltage, low current consumption, high accuracy, and also suitable as a comparator for protection application. On the above current resonant circuit, the shunt regulator is used as an overvoltage protection circuit.

**Selection of Externally Connected Components**

1. MAX\_TON Pin Setting

A resistance value which is connected to the MAX\_TON terminal is used to set the timer to force the GATE output OFF. (For detailed operation, please see "each block Operation / MAX\_TON blocks")

Set timer is proportional to the resistance value which can be set in the range of 56k to 300k. This IC is capable of an accuracy of 10us ± 6% at 100kΩ. However, accuracy deteriorates as the resistance value gets further away from 100kΩ.

For example, 5.6μs ± 0.9μs at 56kΩ, 30μs ± 4.5μs at 300kΩ.

(See graph below)

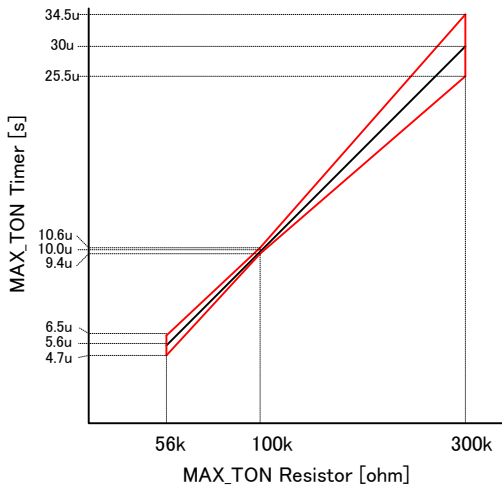


Figure 17. MAX\_TON Timer vs MAX\_TON Resistor(R<sub>MAX\_TON</sub>)

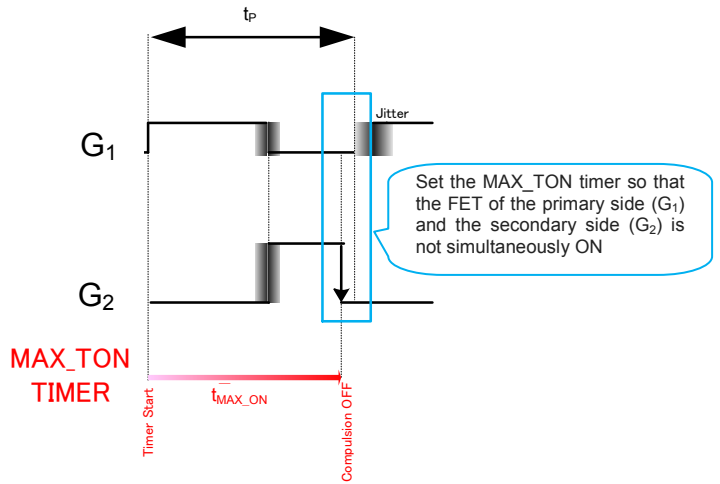


Figure 18. Primary FET and Secondary FET Sequence at CCM Mode

To prevent destruction due to surge current in continuous mode, set the MAX\_TON timer before turning on the primary side FET (G<sub>1</sub>) to forcibly OFF the secondary side FET (G<sub>2</sub>). Regarding such variations, select a resistance value of MAX\_TON terminal so that the MAX\_ON timer setting time is less than one cycle in the primary side (T<sub>P</sub> > T<sub>MAX\_ON</sub>).

- The primary side of the maximum frequency = f<sub>MAX</sub> [Hz]
- The primary side of the maximum frequency accuracy = Δf<sub>MAX</sub> [%]
- The primary side of the jitter frequency = f<sub>JITTER</sub> [Hz]
- Secondary side MAX\_TON timer time = t<sub>MAX\_ON</sub>
- Secondary side MAX\_TON timer time accuracy = Δt<sub>MAX\_ON</sub>
- Secondary side MAX\_TON When the connection resistance accuracy = ΔR

$$R_{MAX\_TON}[k\Omega] < \frac{10000 [k\Omega][kHz]}{(1 + \Delta t_{MAX\_ON}[\%] + \Delta R[\%] + \Delta f_{MAX}[\%]) \times (f_{MAX}[kHz] + f_{JITTER} [kHz])}$$

Frequency Variation Ratio

Maximum Frequency Value

2. Calculation Example

Primary side frequency 100kHz ± 5%

Primary side jitter frequency 8kHz

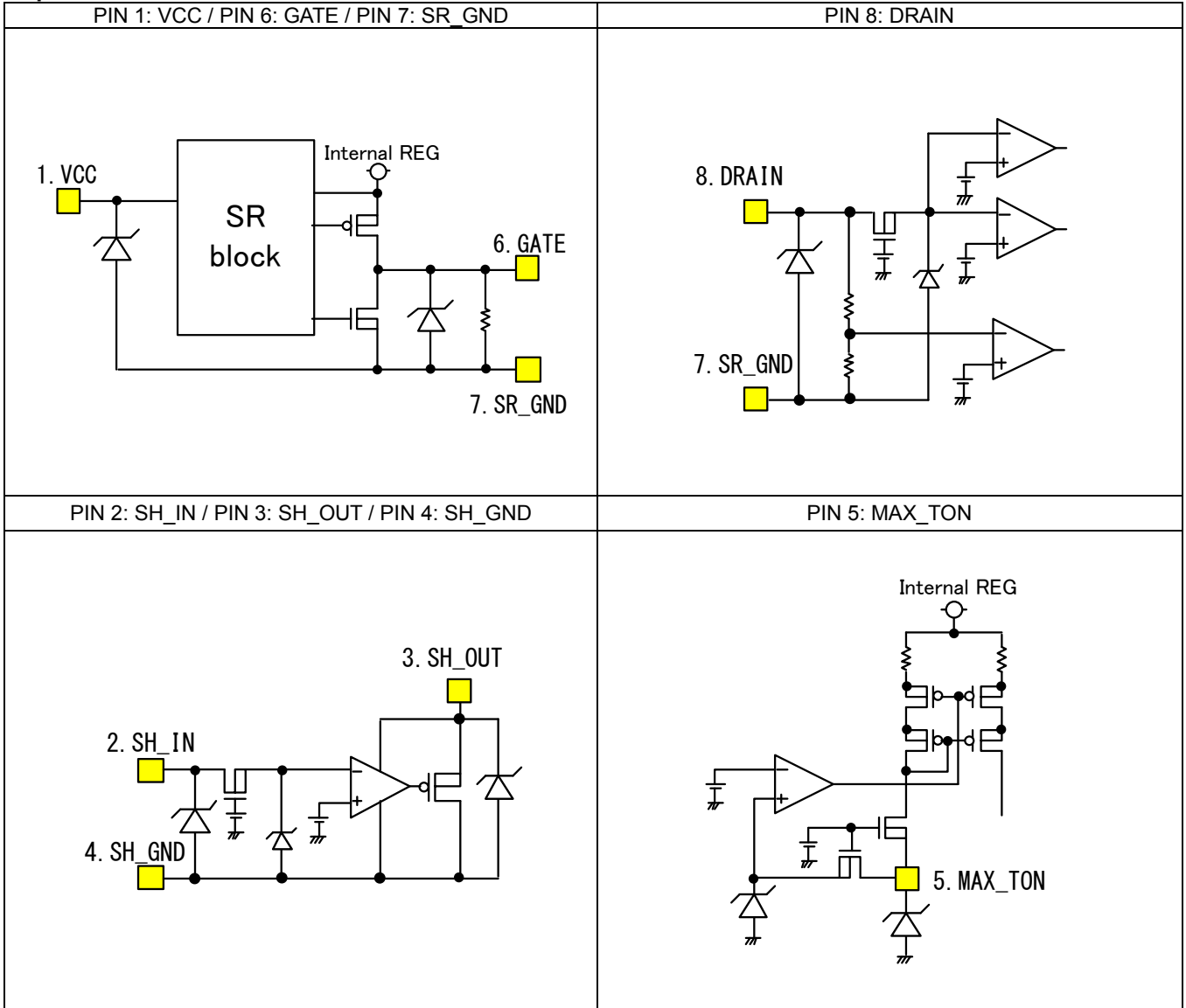
Secondary side MAX\_TON timer accuracy = 7%

Secondary side MAX\_TON connection resistance accuracy = 1%

$$R_{MAX\_TON} [k\Omega] < \frac{10000 [k\Omega][kHz]}{(1 + 5\% + 1\% + 7\%) \times (100kHz + 8kHz)} = 81.94 [k\Omega]$$

With these conditions, MAX\_TON Resistor(R<sub>MAX\_TON</sub>) should be set to 81kΩ or less. In addition, it is recommended that the temperature characteristics of each component should also be taken into account.

**I/O Equivalent Circuits**





Notes on the layout

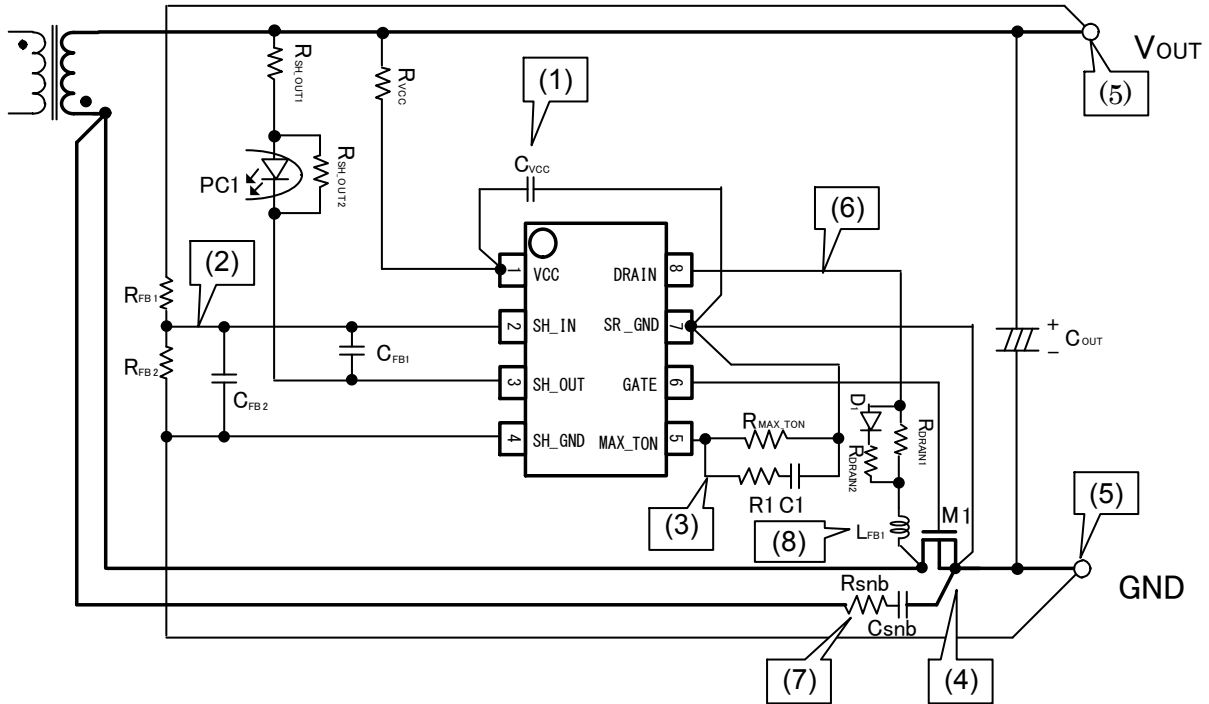


Figure 19. Flyback Application Circuit (Low Side FET)

- (1) VCC line may malfunction under the influence of switching noise. Therefore, it is recommended to insert a capacitor  $C_{VCC}$  between the VCC and SR\_GND terminal.
- (2) SH\_IN terminal is a high impedance line. To avoid crosstalk, electrical wiring should be as short as possible and not in parallel with the switching line.
- (3) MAX\_TON terminal has a 0.4V output. The external components of the MAX\_TON terminal affects the forced OFF time due to switching. Thus, R1 and C1 should be connected to MAX\_TON terminal as near as possible. It is also recommended to use an independent electrical wiring in connection with SR\_GND terminal.
- (4) The synchronous rectification controller IC must accurately monitor the  $V_{DS}$  generated in the FET. Accordingly, the electrical wiring between the DRAIN to DRAIN and SR\_GND to SOURCE of the IC and FET respectively **should be connected independently.**
- (5) The SH\_GND of the shunt regulator and the feedback resistors of  $V_{OUT}$  are recommended to be connected to the GND of the output with an independent electrical wiring.
- (6) The DRAIN terminal is a 0↔100V switching line. Use a narrow wiring and connect as short as possible.
- (7) Use an independent wiring if connecting a snubber circuit between the DS of the FET. The connection of the transformer output and the SOURCE of the FET should be thick and short as possible.
- (8) Due to the DRAIN pin detects the small voltage, a malfunction which the switch turns ON/OFF caused by the surge voltage may occur. So that, the filters such as the ferrite bead are recommended for alleviating the surge voltage.

Configuration example<sup>(Note 6)</sup> :

- $L_{FB1}$  ( a ferrite bead for suppressing the surge voltage ) : MMZ1608S202A
- $D_1$  ( a schottky barrier diode ) : RB751G-40
- $R_{DRN1}$  ( a filter resistor for the FET turn off ) : 0.3k - 2k $\Omega$
- $R_{DRN2}$  ( a current limiting resistor to the DRAIN terminal ) : 150 $\Omega$

(Note 6) The value is not a guaranteed value, but for reference. Please choose the optimum values of the components after sufficient evaluations based on the actual application.

## Operational Notes

### 1. Reverse Connection of Power Supply

Connecting the power supply in reverse polarity can damage the IC. Take precautions against reverse polarity when connecting the power supply, such as mounting an external diode between the power supply and the IC's power supply pins.

### 2. Power Supply Lines

Design the PCB layout pattern to provide low impedance supply lines. Furthermore, connect a capacitor to ground at all power supply pins. Consider the effect of temperature and aging on the capacitance value when using electrolytic capacitors.

### 3. Ground Voltage

Except for pins the output and the input of which were designed to go below ground, ensure that no pins are at a voltage below that of the ground pin at any time, even during transient condition.

### 4. Ground Wiring Pattern

When using both small-signal and large-current ground traces, the two ground traces should be routed separately but connected to a single ground at the reference point of the application board to avoid fluctuations in the small-signal ground caused by large currents. Also ensure that the ground traces of external components do not cause variations on the ground voltage. The ground lines must be as short and thick as possible to reduce line impedance.

### 5. Thermal Consideration

Should by any chance the maximum junction temperature rating be exceeded the rise in temperature of the chip may result in deterioration of the properties of the chip. In case of exceeding this absolute maximum rating, increase the board size and copper area to prevent exceeding the maximum junction temperature rating.

### 6. Recommended Operating Conditions

These conditions represent a range within which the expected characteristics of the IC can be approximately obtained. The electrical characteristics are guaranteed under the conditions of each parameter.

### 7. Inrush Current

When power is first supplied to the IC, it is possible that the internal logic may be unstable and inrush current may flow instantaneously due to the internal powering sequence and delays, especially if the IC has more than one power supply. Therefore, give special consideration to power coupling capacitance, power wiring, width of ground wiring, and routing of connections.

### 8. Operation Under Strong Electromagnetic Field

Operating the IC in the presence of a strong electromagnetic field may cause the IC to malfunction.

### 9. Testing on Application Boards

When testing the IC on an application board, connecting a capacitor directly to a low-impedance output pin may subject the IC to stress. Always discharge capacitors completely after each process or step. The IC's power supply should always be turned off completely before connecting or removing it from the test setup during the inspection process. To prevent damage from static discharge, ground the IC during assembly and use similar precautions during transport and storage.

### 10. Inter-pin Short and Mounting Errors

Ensure that the direction and position are correct when mounting the IC on the PCB. Incorrect mounting may result in damaging the IC. Avoid nearby pins being shorted to each other especially to ground, power supply and output pin. Inter-pin shorts could be due to many reasons such as metal particles, water droplets (in very humid environment) and unintentional solder bridge deposited in between pins during assembly to name a few.

### 11. Unused Input Terminals

Input pins of an IC are often connected to the gate of a MOS transistor. The gate has extremely high impedance and extremely low capacitance. If left unconnected, the electric field from the outside can easily charge it. The small charge acquired in this way is enough to produce a significant effect on the conduction through the transistor and cause unexpected operation of the IC. So unless otherwise specified, unused input pins should be connected to the power supply or ground line.

Operational Notes - continued

12. Regarding Input Pins of the IC

This monolithic IC contains P+ isolation and P substrate layers between adjacent elements in order to keep them isolated. P-N junctions are formed at the intersection of the P layers with the N layers of other elements, creating a parasitic diode or transistor. For example (refer to figure below):

- When GND > Pin A and GND > Pin B, the P-N junction operates as a parasitic diode.
- When GND > Pin B, the P-N junction operates as a parasitic transistor.

Parasitic diodes inevitably occur in the structure of the IC. The operation of parasitic diodes can result in mutual interference among circuits, operational faults, or physical damage. Therefore, conditions that cause these diodes to operate, such as applying a voltage lower than the GND voltage to an input pin (and thus to the P substrate) should be avoided.

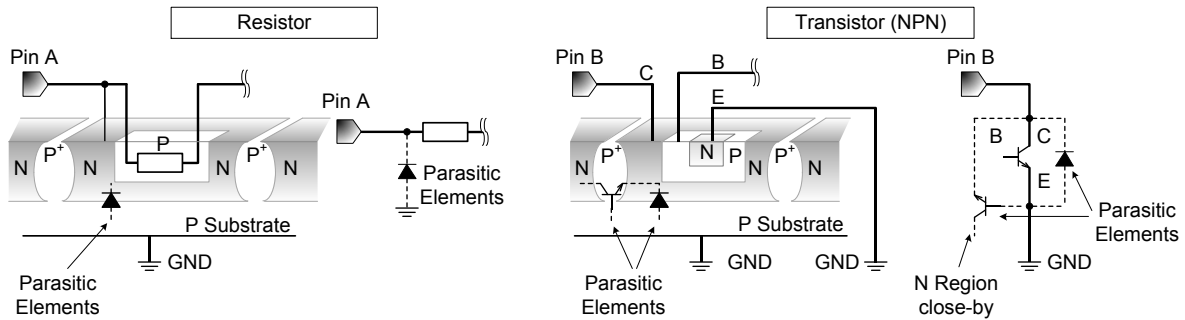


Figure 20. Example of Monolithic IC Structure

13. Ceramic Capacitor

When using a ceramic capacitor, determine the dielectric constant considering the change of capacitance with temperature and the decrease in nominal capacitance due to DC bias and others.

14. Area of Safe Operation (ASO)

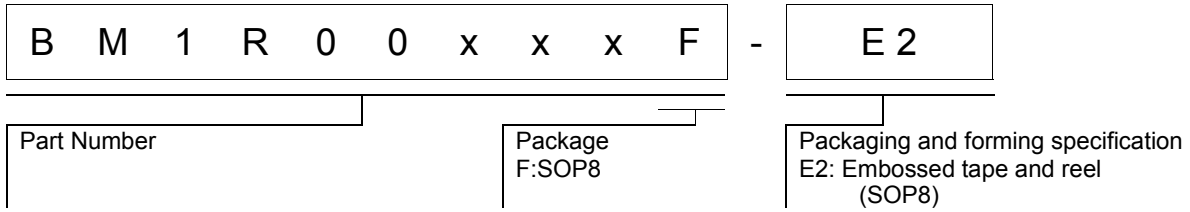
Operate the IC such that the output voltage, output current, and the maximum junction temperature rating are all within the Area of Safe Operation (ASO).

15. Thermal Shutdown Circuit(TSD)

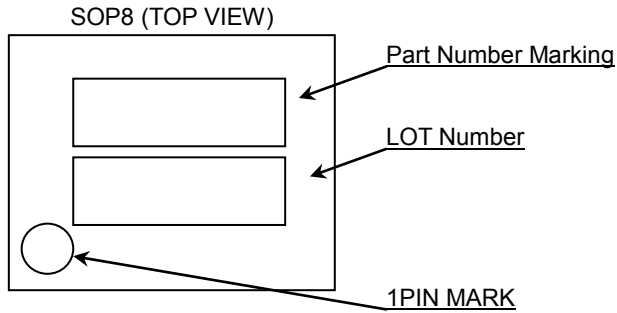
This IC has a built-in thermal shutdown circuit that prevents heat damage to the IC. Normal operation should always be within the IC's maximum junction temperature rating. If however the rating is exceeded for a continued period, the junction temperature (Tj) will rise which will activate the TSD circuit that will turn OFF all output pins. When the Tj falls below the TSD threshold, the circuits are automatically restored to normal operation.

Note that the TSD circuit operates in a situation that exceeds the absolute maximum ratings and therefore, under no circumstances, should the TSD circuit be used in a set design or for any purpose other than protecting the IC from heat damage.

Ordering Information



Marking Diagram



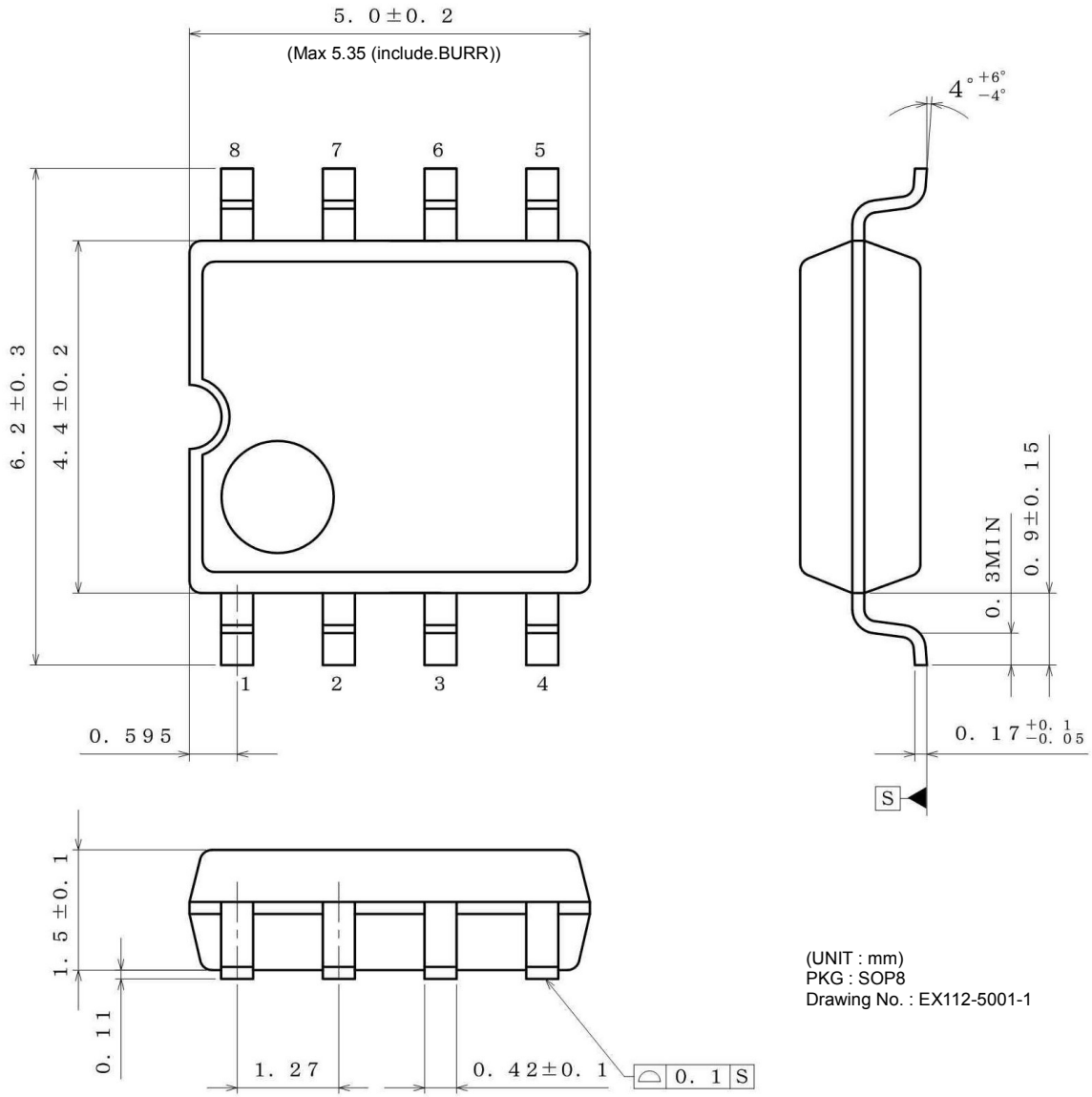
Part Number Marking	Package	Orderable Part Number
00xxx	SOP8	BM1R00xxxF-E2

Auto Restart Protection Series

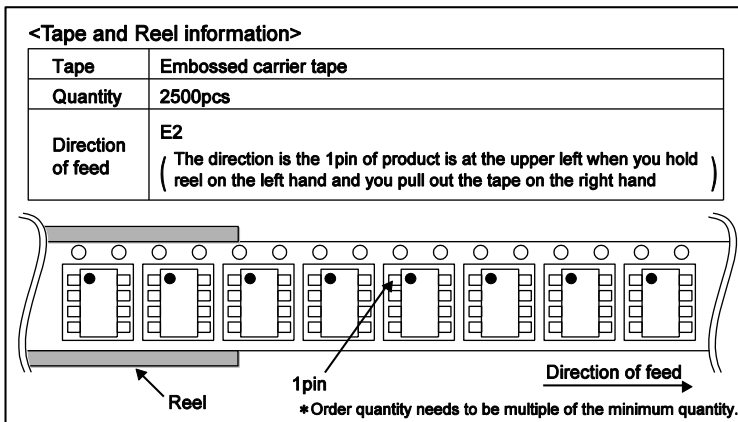
Part Number	Part Number Marking	Compulsion ON Time ( $\mu$ s )	Compulsion OFF Time ( $\mu$ s )
BM1R00146F	00146	NONE	1.3
BM1R00147F	00147	NONE	2
BM1R00148F	00148	NONE	3
BM1R00149F	00149	NONE	3.6
BM1R00150F	00150	NONE	4.6

Physical Dimension, Tape and Reel Information

Package Name	SOP8
--------------	------



(UNIT : mm)  
 PKG : SOP8  
 Drawing No. : EX112-5001-1



Revision History

Date	Revision	Changes
2.Mar.2016	001	Data Sheet Revision1 Release.
20.Apr. 2016	002	Modification: P4, P5 VOUT->VCC
20.Apr. 2016	002	Modification: P6, 74.2mm2->74.2mm x 74.2mm
20.Apr. 2016	002	Modification: P15, Fig17 graph.
18.Oct. 2016	003	Data Sheet Revision3 Release
18.Oct. 2016	003	Modification: P1, BM1R00xxxF->BM1R00146F, BM1R00147F, BM1R00148F, BM1R00149F,BM1R00150F
18.Oct. 2016	003	Modification: P1, P20, Lineup Table
18.Oct. 2016	003	Modification: P1, BM1R00xxxF->BM1R00146F-150F
18.Oct. 2016	003	Delete: P1, P5, ultra-
18.Oct. 2016	003	Delete: P3, Comment in Block Diagram
18.Oct. 2016	003	Delete: P4, Description of Block "Compulsion ON Time"
18.Oct. 2016	003	Delete: P4, BM1R00026F
18.Oct. 2016	003	Delete: P7, Electrical Characteristics "Compulsion ON Time"
18.Oct. 2016	003	Modification: P7, "%" -> "µs"
18.Oct. 2016	003	Modification: P8, "LATCH Timer" -> "Protection Timer"
18.Oct. 2016	003	Modification: P8, "SH_OUT Sink Current at LATCH Mode" -> "SH_OUT Sink Current at Protection Mode"
18.Oct. 2016	003	Delete: P19, Comment of "15.Thermal Shutdown Circuit(TSD)"

# Notice

## Precaution on using ROHM Products

- Our Products are designed and manufactured for application in ordinary electronic equipments (such as AV equipment, OA equipment, telecommunication equipment, home electronic appliances, amusement equipment, etc.). If you intend to use our Products in devices requiring extremely high reliability (such as medical equipment <sup>(Note 1)</sup>, transport equipment, traffic equipment, aircraft/spacecraft, nuclear power controllers, fuel controllers, car equipment including car accessories, safety devices, etc.) and whose malfunction or failure may cause loss of human life, bodily injury or serious damage to property ("Specific Applications"), please consult with the ROHM sales representative in advance. Unless otherwise agreed in writing by ROHM in advance, ROHM shall not be in any way responsible or liable for any damages, expenses or losses incurred by you or third parties arising from the use of any ROHM's Products for Specific Applications.

(Note1) Medical Equipment Classification of the Specific Applications

JAPAN	USA	EU	CHINA
CLASS III	CLASS III	CLASS II b	CLASS III
CLASS IV		CLASS III	

- ROHM designs and manufactures its Products subject to strict quality control system. However, semiconductor products can fail or malfunction at a certain rate. Please be sure to implement, at your own responsibilities, adequate safety measures including but not limited to fail-safe design against the physical injury, damage to any property, which a failure or malfunction of our Products may cause. The following are examples of safety measures:
  - Installation of protection circuits or other protective devices to improve system safety
  - Installation of redundant circuits to reduce the impact of single or multiple circuit failure
- Our Products are designed and manufactured for use under standard conditions and not under any special or extraordinary environments or conditions, as exemplified below. Accordingly, ROHM shall not be in any way responsible or liable for any damages, expenses or losses arising from the use of any ROHM's Products under any special or extraordinary environments or conditions. If you intend to use our Products under any special or extraordinary environments or conditions (as exemplified below), your independent verification and confirmation of product performance, reliability, etc. prior to use, must be necessary:
  - Use of our Products in any types of liquid, including water, oils, chemicals, and organic solvents
  - Use of our Products outdoors or in places where the Products are exposed to direct sunlight or dust
  - Use of our Products in places where the Products are exposed to sea wind or corrosive gases, including Cl<sub>2</sub>, H<sub>2</sub>S, NH<sub>3</sub>, SO<sub>2</sub>, and NO<sub>2</sub>
  - Use of our Products in places where the Products are exposed to static electricity or electromagnetic waves
  - Use of our Products in proximity to heat-producing components, plastic cords, or other flammable items
  - Sealing or coating our Products with resin or other coating materials
  - Use of our Products without cleaning residue of flux (even if you use no-clean type fluxes, cleaning residue of flux is recommended); or Washing our Products by using water or water-soluble cleaning agents for cleaning residue after soldering
  - Use of the Products in places subject to dew condensation
- The Products are not subject to radiation-proof design.
- Please verify and confirm characteristics of the final or mounted products in using the Products.
- In particular, if a transient load (a large amount of load applied in a short period of time, such as pulse. is applied, confirmation of performance characteristics after on-board mounting is strongly recommended. Avoid applying power exceeding normal rated power; exceeding the power rating under steady-state loading condition may negatively affect product performance and reliability.
- De-rate Power Dissipation depending on ambient temperature. When used in sealed area, confirm that it is the use in the range that does not exceed the maximum junction temperature.
- Confirm that operation temperature is within the specified range described in the product specification.
- ROHM shall not be in any way responsible or liable for failure induced under deviant condition from what is defined in this document.

## Precaution for Mounting / Circuit board design

- When a highly active halogenous (chlorine, bromine, etc.) flux is used, the residue of flux may negatively affect product performance and reliability.
- In principle, the reflow soldering method must be used on a surface-mount products, the flow soldering method must be used on a through hole mount products. If the flow soldering method is preferred on a surface-mount products, please consult with the ROHM representative in advance.

For details, please refer to ROHM Mounting specification

### Precautions Regarding Application Examples and External Circuits

1. If change is made to the constant of an external circuit, please allow a sufficient margin considering variations of the characteristics of the Products and external components, including transient characteristics, as well as static characteristics.
2. You agree that application notes, reference designs, and associated data and information contained in this document are presented only as guidance for Products use. Therefore, in case you use such information, you are solely responsible for it and you must exercise your own independent verification and judgment in the use of such information contained in this document. ROHM shall not be in any way responsible or liable for any damages, expenses or losses incurred by you or third parties arising from the use of such information.

### Precaution for Electrostatic

This Product is electrostatic sensitive product, which may be damaged due to electrostatic discharge. Please take proper caution in your manufacturing process and storage so that voltage exceeding the Products maximum rating will not be applied to Products. Please take special care under dry condition (e.g. Grounding of human body / equipment / solder iron, isolation from charged objects, setting of Ionizer, friction prevention and temperature / humidity control).

### Precaution for Storage / Transportation

1. Product performance and soldered connections may deteriorate if the Products are stored in the places where:
  - [a] the Products are exposed to sea winds or corrosive gases, including Cl<sub>2</sub>, H<sub>2</sub>S, NH<sub>3</sub>, SO<sub>2</sub>, and NO<sub>2</sub>
  - [b] the temperature or humidity exceeds those recommended by ROHM
  - [c] the Products are exposed to direct sunshine or condensation
  - [d] the Products are exposed to high Electrostatic
2. Even under ROHM recommended storage condition, solderability of products out of recommended storage time period may be degraded. It is strongly recommended to confirm solderability before using Products of which storage time is exceeding the recommended storage time period.
3. Store / transport cartons in the correct direction, which is indicated on a carton with a symbol. Otherwise bent leads may occur due to excessive stress applied when dropping of a carton.
4. Use Products within the specified time after opening a humidity barrier bag. Baking is required before using Products of which storage time is exceeding the recommended storage time period.

### Precaution for Product Label

A two-dimensional barcode printed on ROHM Products label is for ROHM's internal use only.

### Precaution for Disposition

When disposing Products please dispose them properly using an authorized industry waste company.

### Precaution for Foreign Exchange and Foreign Trade act

Since concerned goods might be fallen under listed items of export control prescribed by Foreign exchange and Foreign trade act, please consult with ROHM in case of export.

### Precaution Regarding Intellectual Property Rights

1. All information and data including but not limited to application example contained in this document is for reference only. ROHM does not warrant that foregoing information or data will not infringe any intellectual property rights or any other rights of any third party regarding such information or data.
2. ROHM shall not have any obligations where the claims, actions or demands arising from the combination of the Products with other articles such as components, circuits, systems or external equipment (including software).
3. No license, expressly or implied, is granted hereby under any intellectual property rights or other rights of ROHM or any third parties with respect to the Products or the information contained in this document. Provided, however, that ROHM will not assert its intellectual property rights or other rights against you or your customers to the extent necessary to manufacture or sell products containing the Products, subject to the terms and conditions herein.

### Other Precaution

1. This document may not be reprinted or reproduced, in whole or in part, without prior written consent of ROHM.
2. The Products may not be disassembled, converted, modified, reproduced or otherwise changed without prior written consent of ROHM.
3. In no event shall you use in any way whatsoever the Products and the related technical information contained in the Products or this document for any military purposes, including but not limited to, the development of mass-destruction weapons.
4. The proper names of companies or products described in this document are trademarks or registered trademarks of ROHM, its affiliated companies or third parties.



**General Precaution**

1. Before you use our Products, you are requested to carefully read this document and fully understand its contents. ROHM shall not be in any way responsible or liable for failure, malfunction or accident arising from the use of any ROHM's Products against warning, caution or note contained in this document.
2. All information contained in this document is current as of the issuing date and subject to change without any prior notice. Before purchasing or using ROHM's Products, please confirm the latest information with a ROHM sales representative.
3. The information contained in this document is provided on an "as is" basis and ROHM does not warrant that all information contained in this document is accurate and/or error-free. ROHM shall not be in any way responsible or liable for any damages, expenses or losses incurred by you or third parties resulting from inaccuracy or errors of or concerning such information.