

LIN Transceiver for Automotive

BD41033FJ-C

General Description

BD41033FJ-C is the best transceiver for BUS system which need LIN (Local Interconnect Network) Commander and Responder protocol communication function.
Low power consumption in sleep mode is implemented.

Features

- AEC-Q100 Qualified^(Note 1)
- Functional Safety Supportive Automotive Products
- Compliant to LIN2.x/ISO17987-4: 2016 (12V)
- Absolute Maximum Ratings of the LIN Pin is -27V to +40V
- Max Transmission Rate 20 kbps
- Low Electro Magnetic Interference (EMI)
- High Electro Magnetic Susceptibility (EMS)
- High Impedance at Power Off for BUS
- Interface Voltage to Micro Controller corresponds to 3.3 V/5.0 V
- Integrated Termination Resistor (R_{SLAVE}) for LIN Responder
- Low Power Consumption in Sleep Mode
- Transmit Data (TXD) Dominant Time-out Function
- Resistant to LIN-BAT/GND Short-circuit
- Integrated Thermal Shutdown

(Note 1) Grade1

Key Specifications

- Supply Voltage: 5.0 V to 27.0 V
- Supply Current (Sleep Mode): 3 μ A (Typ)
- Supply Current (Normal Mode, Recessive): 550 μ A (Typ)
- Supply Current (Normal Mode, Dominant): 900 μ A (Typ)

Package

SOP-J8

W (Typ) x D (Typ) x H (Max)

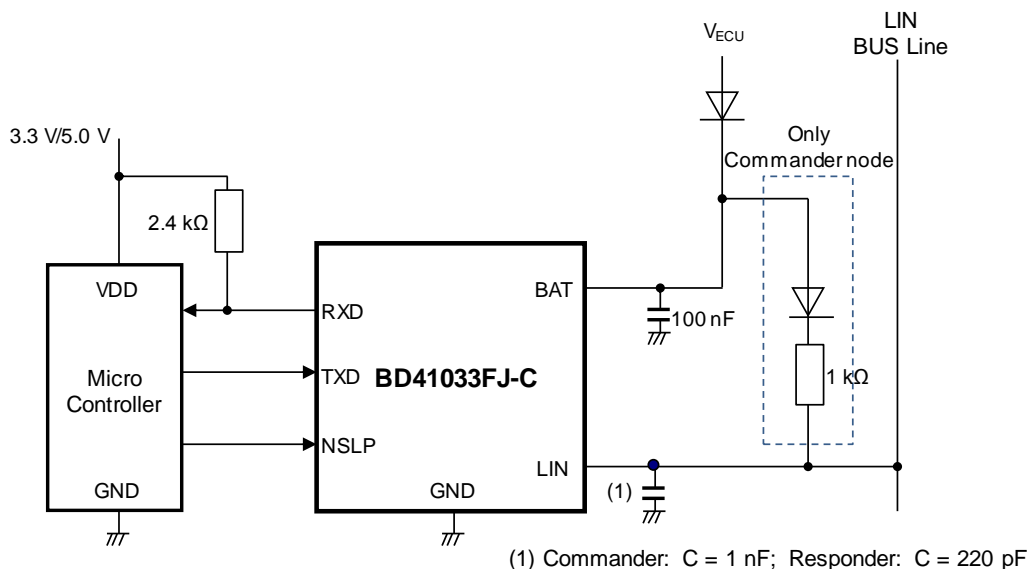
4.9 mm x 6.0 mm x 1.65 mm



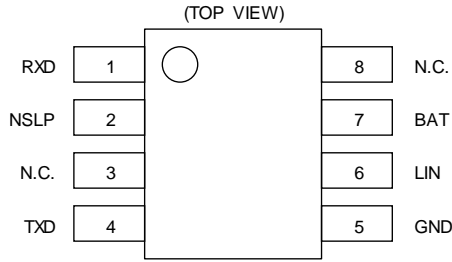
Application

- LIN Communication for Automotive Networks.

Typical Application Circuit



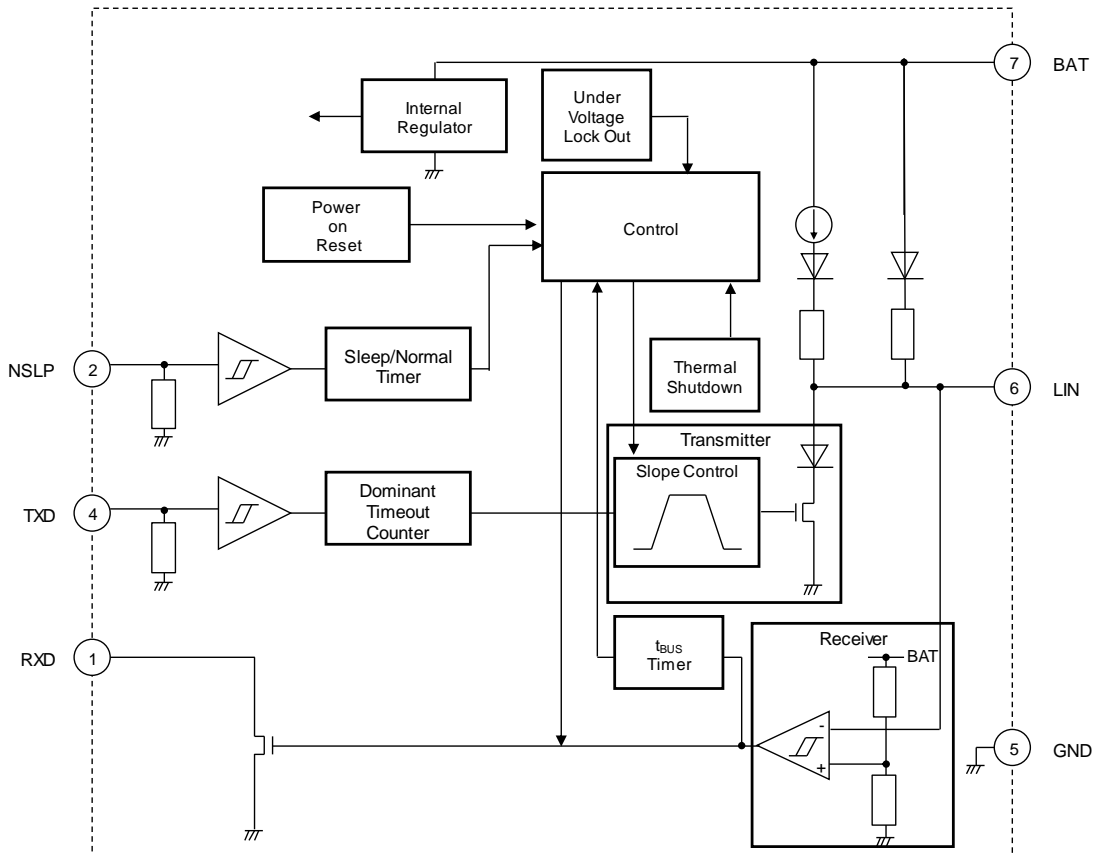
Pin Configuration



Pin Descriptions

Pin No.	Pin Name	Function
1	RXD	Received data output pin (Open Drain) Sleep mode: Hi-Z output Standby mode: L output Normal mode: Received data output
2	NSLP	Sleep control input pin ("L" Active mode) L input: Change to Sleep mode H input: Change to Normal mode
3	N.C.	Not connected
4	TXD	Transmission data input pin
5	GND	Ground
6	LIN	LIN input and output pin
7	BAT	Power supply pin
8	N.C.	Not connected

Block Diagram



Description of Functions

1. Sleep mode

In sleep mode, this IC stops transmit/receive functions and enters the low power consumption status.

While normal mode the L status of the NSLP pin exceeds $t_{GOTOSLEEP}$ or more, this IC changes to Sleep mode. When the NSLP pin set to L from H while the TXD pin is L, this IC may change to Standby mode after changing to Sleep mode. To change to Sleep mode, the TXD pin should set H before the NSLP pin set to L from H.

2. Standby mode

In standby mode, this IC notify the mode change to Standby mode to Micro controller by outputting L from the RXD pin.

While sleep mode after the LIN pin input is set to Dominant signal and exceeds t_{BUS} or more, this IC changes to Standby mode when the LIN pin input is set to Recessive signal from Dominant signal. Hereinafter, this mode change is defined as Remote Wake-up.

3. Normal mode

In normal mode, this IC can transmit/receive data via the LIN BUS line. At receiving operation, this IC outputs signal from the RXD pin to Micro Controller from the LIN pin input signal. At transmitting operation, this IC outputs signal to the LIN pin with shaping as LIN BUS wave from the TXD pin input signal of Micro Controller.

While Sleep mode or Standby mode the H status of the NSLP pin exceeds $t_{GOTONORM}$ or more, this IC changes to Normal mode.

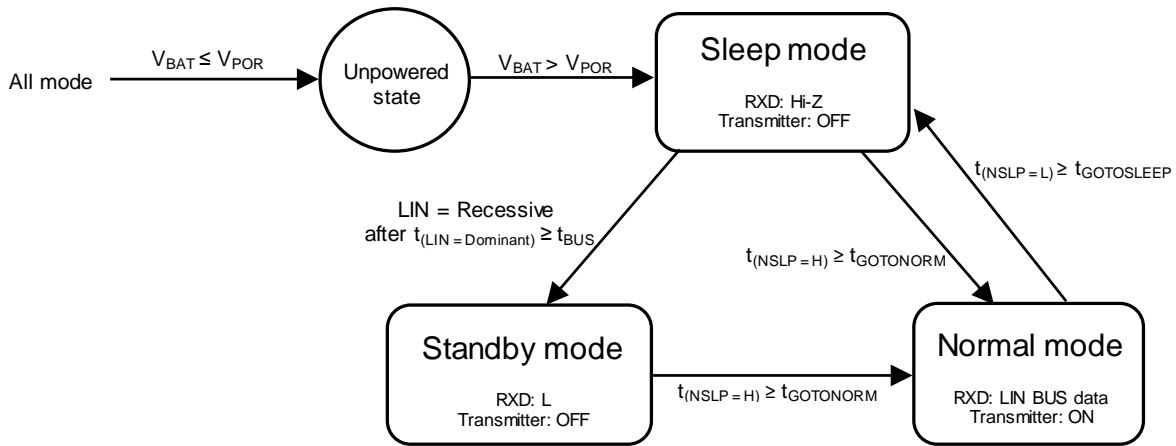


Figure 1. State diagram

Table 1. Operating modes

Mode	NSLP	RXD	Transmitter	R _{SLAVE}	Comments
Sleep mode	L	Hi-Z	OFF	30 kΩ (Typ)	Low power consumption sate
Standby mode	H	L	OFF	30 kΩ (Typ)	Notification sate of Remote Wake-up detection
Normal mode	H	LIN BUS data	ON	30 kΩ (Typ)	Data transmit and receive enable state

Description of Functions – continued

4. Fail-safe function

When the L time of the TXD pin exceeds t_{DOM} , DTC (Dominant Timeout Counter) circuit detects abnormal and stops the output of transmitter described in Figure 6. This IC returns to a state where transmission operation is possible after the TXD pin is set to H.

When the junction temperature of IC exceeds the detection temperature $170\text{ }^{\circ}\text{C}$ (Typ), TSD (Thermal Shutdown) circuit detects abnormal and stops the output of transmitter. Because the detection temperature has hysteresis, this IC returns to a state where transmission operation is possible after the junction temperature drops $13\text{ }^{\circ}\text{C}$ (Typ) from the detection temperature.

UVLO (Under Voltage Lock Out) circuit and POR (Power on Reset) circuit detect abnormal of V_{BAT} voltage drop. When V_{BAT} drops less than V_{UVLO} , this IC detects abnormal and stops the output of transmitter. This IC returns to a state where transmission operation is possible after V_{BAT} exceeds V_{UVLO} or more. When V_{BAT} also drops less than V_{POR} , this IC changes to Unpowered state and resets status.

Table 2. Operation explanation when Fail-safe function detects abnormal

Fail-safe Function	State Transition	Transmitter Output	RXD Output
DTC	No change	Hi-Z	LIN BUS data
TSD	No change	Hi-Z	LIN BUS data
UVLO	No change	Hi-Z	LIN BUS data
POR	Change to Unpowered state	Hi-Z	Hi-Z

Absolute Maximum Ratings (Ta = 25 °C)

Parameter	Symbol	Rating	Unit
Supply Voltage	V _{BAT}	-0.3 to +40.0	V
Input Voltage	V _{NLSLP, V_{TXD}}	-0.3 to +7.0	V
Output Voltage	V _{RXD}	-0.3 to +7.0	V
Input/Output Voltage	V _{LIN}	-27 to +40	V
Maximum Junction Temperature	T _{jmax}	+150	°C
Storage Temperature Range	T _{stg}	-55 to +150	°C
Electro Static Discharge (HBM) ^(Note 2)	V _{ESD}	±4000	V

(Note 2) Based on JEDEC.

Caution 1: Operating the IC over the absolute maximum ratings may damage the IC. The damage can either be a short circuit between pins or an open circuit between pins and the internal circuitry. Therefore, it is important to consider circuit protection measures, such as adding a fuse, in case the IC is operated over the absolute maximum ratings.

Caution 2: Should by any chance the maximum junction temperature rating be exceeded the rise in temperature of the chip may result in deterioration of the properties of the chip. In case of exceeding this absolute maximum rating, design a PCB with thermal resistance taken into consideration by increasing board size and copper area so as not to exceed the maximum junction temperature rating.

Thermal Resistance (Note 3)

Parameter	Symbol	Thermal Resistance (Typ)		Unit
		1s ^(Note 5)	2s2p ^(Note 6)	
SOP-J8				
Junction to Ambient	θ _{JA}	149.3	76.9	°C/W
Junction to Top Characterization Parameter ^(Note 4)	Ψ _{JT}	18	11	°C/W

(Note 3) Based on JESD51-2A (Still-Air).

(Note 4) The thermal characterization parameter to report the difference between junction temperature and the temperature at the top center of the outside surface of the component package.

(Note 5) Using a PCB board based on JESD51-3.

(Note 6) Using a PCB board based on JESD51-7.

Layer Number of Measurement Board	Material	Board Size
Single	FR-4	114.3 mm x 76.2 mm x 1.57 mmt

Top	
Copper Pattern	Thickness
Footprints and Traces	70 μm

Layer Number of Measurement Board	Material	Board Size
4 Layers	FR-4	114.3 mm x 76.2 mm x 1.6 mmt

Top		2 Internal Layers		Bottom	
Copper Pattern	Thickness	Copper Pattern	Thickness	Copper Pattern	Thickness
Footprints and Traces	70 μm	74.2 mm x 74.2 mm	35 μm	74.2 mm x 74.2 mm	70 μm

Recommended Operating Conditions

Parameter	Symbol	Limit			Unit
		Min	Typ	Max	
Supply Voltage	V _{BAT}	5.0	12.0	27.0	V
Operating Temperature	Topr	-40	+25	+125	°C

Electrical Characteristics ($T_a = -40\text{ }^\circ\text{C}$ to $+125\text{ }^\circ\text{C}$; $V_{\text{BAT}} = 5\text{ V}$ to 27 V ; $R_L = 500\ \Omega$; typical values are given at $T_a = 25\text{ }^\circ\text{C}$, $V_{\text{BAT}} = 12\text{ V}$, unless otherwise specified)

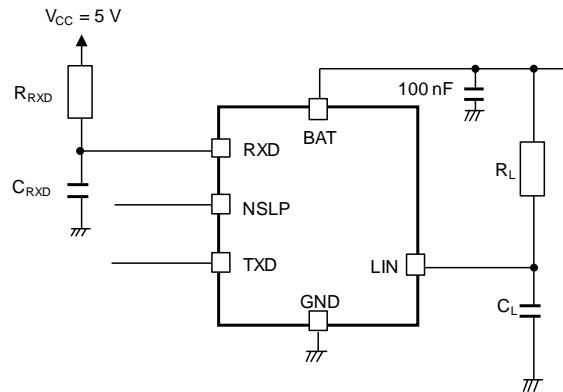


Figure 2. Simplified test circuit

Parameter	Symbol	Limit			Unit	Conditions
		Min	Typ	Max		
BAT						
Supply Current 1 (Sleep Mode)	I_{BAT1}	-	3	8	μA	Sleep mode $V_{\text{LIN}} = V_{\text{BAT}}$ $V_{\text{TXD}} = 0\text{ V}$ $V_{\text{NSLP}} = 0\text{ V}$
Supply Current 2 (Standby Mode, Recessive)	I_{BAT2}	-	500	1200	μA	Standby mode $V_{\text{LIN}} = V_{\text{BAT}}$ $V_{\text{TXD}} = 0\text{ V}$ $V_{\text{NSLP}} = 0\text{ V}$
Supply Current 3 (Standby Mode, Dominant)	I_{BAT3}	-	850	2000	μA	Standby mode $V_{\text{BAT}} = 12\text{ V}$ $V_{\text{LIN}} = 0\text{ V}$ $V_{\text{TXD}} = 0\text{ V}$ $V_{\text{NSLP}} = 0\text{ V}$
Supply Current 4 (Normal Mode, Recessive)	I_{BAT4}	-	550	1300	μA	Normal mode $V_{\text{LIN}} = V_{\text{BAT}}$ $V_{\text{TXD}} = 5\text{ V}$ $V_{\text{NSLP}} = 5\text{ V}$
Supply Current 5 (Normal Mode, Dominant)	I_{BAT5}	-	900	2000	μA	Normal mode $V_{\text{BAT}} = 12\text{ V}$ $V_{\text{TXD}} = 0\text{ V}$ $V_{\text{NSLP}} = 5\text{ V}$
UVLO Threshold Voltage	V_{UVLO}	-	-	4.9	V	
POR Threshold Voltage	V_{POR}	-	-	4.3	V	
TXD						
High Level Input Voltage	$V_{\text{IH_TXD}}$	2.0	-	7.0	V	
Low Level Input Voltage	$V_{\text{IL_TXD}}$	-0.3	-	+0.8	V	
Hysteresis Input Voltage	$V_{\text{HYS_TXD}}$	0.03	-	0.50	V	
Input Pull-down Resistor	R_{TXD}	125	350	800	k Ω	$V_{\text{TXD}} = 5\text{ V}$
Low Level Input Current	$I_{\text{IL_TXD}}$	-5.0	0.0	+5.0	μA	$V_{\text{TXD}} = 0\text{ V}$
NSLP						
High Level Input Voltage	$V_{\text{IH_NSLP}}$	2.0	-	7.0	V	
Low Level Input Voltage	$V_{\text{IL_NSLP}}$	-0.3	-	+0.8	V	
Hysteresis Input Voltage	$V_{\text{HYS_NSLP}}$	0.03	-	0.50	V	
Input Pull-down Resistor	R_{NSLP}	125	350	800	k Ω	$V_{\text{NSLP}} = 5\text{ V}$
Low Level Input Current	$I_{\text{IL_NSLP}}$	-5.0	0.0	+5.0	μA	$V_{\text{NSLP}} = 0\text{ V}$

Electrical Characteristics (Ta = -40 °C to +125 °C; V_{BAT} = 5 V to 27 V; R_L = 500 Ω; typical values are given at Ta = 25 °C, V_{BAT} = 12 V, unless otherwise specified) – continued

Parameter	Symbol	Limit			Unit	Conditions
		Min	Typ	Max		
RXD						
Low Level Output Current	I _{OL}	1.3	3.5	-	mA	Normal mode V _{LIN} = 0 V V _{RXD} = 0.4 V
High Level Leakage Current	I _{OZH}	-5.0	0.0	+5.0	μA	Normal mode V _{LIN} = V _{BAT} V _{RXD} = 5 V
LIN						
LIN Dominant Output Voltage	V _{O_DOM1}	-	-	1.4	V	V _{TXD} = 0 V V _{BAT} = 7 V
	V _{O_DOM2}	-	-	2.2	V	V _{TXD} = 0 V V _{BAT} = 18 V
Pull-up Resistance	R _{SLAVE}	20	30	50	kΩ	V _{LIN} = 0 V V _{BAT} = 12 V
Capacitance of LIN Pin ^(Note 7)	C _{LIN}	-	-	30	pF	
Bus Short Circuit Current	I _{BUS_LIM}	40	-	200	mA	V _{LIN} = V _{BAT} = 18 V V _{TXD} = 0 V
Receiver Leakage Current (Dominant)	I _{BUS_PAS_dom}	-0.6	-	-	mA	V _{LIN} = 0 V V _{BAT} = 12 V V _{TXD} = 5 V
Receiver Leakage Current (Recessive)	I _{BUS_PAS_rec}	-	-	20	μA	V _{LIN} = 18 V V _{BAT} = 7 V V _{TXD} = 5 V
Loss of Ground Leakage Current	I _{BUS_NO_GND}	-0.75	-	+0.10	mA	V _{BAT} = V _{GND} = 12 V V _{LIN} = 0 V to 18 V
Loss of Battery Leakage Current	I _{BUS_NO_BAT}	-	-	10	μA	V _{BAT} = 0 V V _{LIN} = 18 V
Receiver Low Level Input Voltage	V _{BUSdom}	-	-	0.4 x V _{BAT}	V	V _{BAT} = 7 V to 27 V
Receiver High Level Input Voltage	V _{BUSrec}	0.6 x V _{BAT}	-	-	V	V _{BAT} = 7 V to 27 V
Receiver Center Voltage	V _{BUS_CNT}	0.475 x V _{BAT}	0.500 x V _{BAT}	0.525 x V _{BAT}	V	V _{BAT} = 7 V to 27 V V _{BUS_CNT} = (V _{BUSdom} + V _{BUSrec}) / 2
Receiver Hysteresis Voltage	V _{HYS}	0.100 x V _{BAT}	0.140 x V _{BAT}	0.175 x V _{BAT}	V	V _{BAT} = 7 V to 27 V V _{HYS} = V _{BUSrec} - V _{BUSdom}
Serial Diode Voltage in R _{SLAVE} Path ^(Note 7)	V _{SerDiode}	0.4	0.7	1.0	V	Load current = 0.9 mA

(Note 7) It is a design guarantee parameter, not tested in production.

Electrical Characteristics (Ta = -40 °C to +125 °C; V_{BAT} = 5 V to 27 V; R_L = 500 Ω; typical values are given at Ta = 25 °C, V_{BAT} = 12 V, unless otherwise specified) – continued

Parameter	Symbol	Limit			Unit	Conditions
		Min	Typ	Max		
AC Characteristics						
RXD Propagation Delay	t _{rx_pdr}	-	-	6.0	μs	C _{RXD} = 20 pF R _{RXD} = 2.4 kΩ t _{rx_sym} = t _{rx_pdf} - t _{rx_pdr}
	t _{rx_pdf}	-	-	6.0	μs	
RXD Propagation Delay Symmetry	t _{rx_sym}	-2.0	0.0	+2.0	μs	
Duty Cycle1 ^(Note 8)	D1	0.396	-	-	-	TH _{Rec (max)} = 0.744 x V _{BAT} TH _{Dom (max)} = 0.581 x V _{BAT} V _{BAT} = 7 V to 18 V t _{BIT} = 50 μs D1 = t _{Bus_rec (min)} / (2 x t _{BIT})
Duty Cycle2 ^(Note 8)	D2	-	-	0.581	-	TH _{Rec (min)} = 0.422 x V _{BAT} TH _{Dom (min)} = 0.284 x V _{BAT} V _{BAT} = 7.6 V to 18 V t _{BIT} = 50 μs D2 = t _{Bus_rec (max)} / (2 x t _{BIT})
Duty Cycle3 ^(Note 8)	D3	0.417	-	-	-	TH _{Rec (max)} = 0.778 x V _{BAT} TH _{Dom (max)} = 0.616 x V _{BAT} V _{BAT} = 7 V to 18 V t _{BIT} = 96 μs D3 = t _{Bus_rec (min)} / (2 x t _{BIT})
Duty Cycle4 ^(Note 8)	D4	-	-	0.590	-	TH _{Rec (min)} = 0.389 x V _{BAT} TH _{Dom (min)} = 0.251 x V _{BAT} V _{BAT} = 7.6 V to 18 V t _{BIT} = 96 μs D4 = t _{Bus_rec (max)} / (2 x t _{BIT})
Wake-up LIN Dominant Time	t _{BUS}	30	70	150	μs	
Normal Mode Change Time ^(Note 9)	t _{GOTONORM}	-	5	10	μs	Change time to Normal mode from Sleep/Standby mode
Sleep Mode Change Time ^(Note 9)	t _{GOTOSLEEP}	-	5	10	μs	Change time to Sleep mode from Normal mode
TXD Dominant Timeout Time	t _{DOM}	6	12	20	ms	V _{TXD} = 0 V

(Note 8) Load conditions of bus (C_L; R_L) is prescribed as all right three conditions. (1 nF; 1 kΩ / 6.8 nF; 660 Ω / 10 nF; 500 Ω)

(Note 9) It is a design guarantee parameter, not tested in production.

Timing Chart

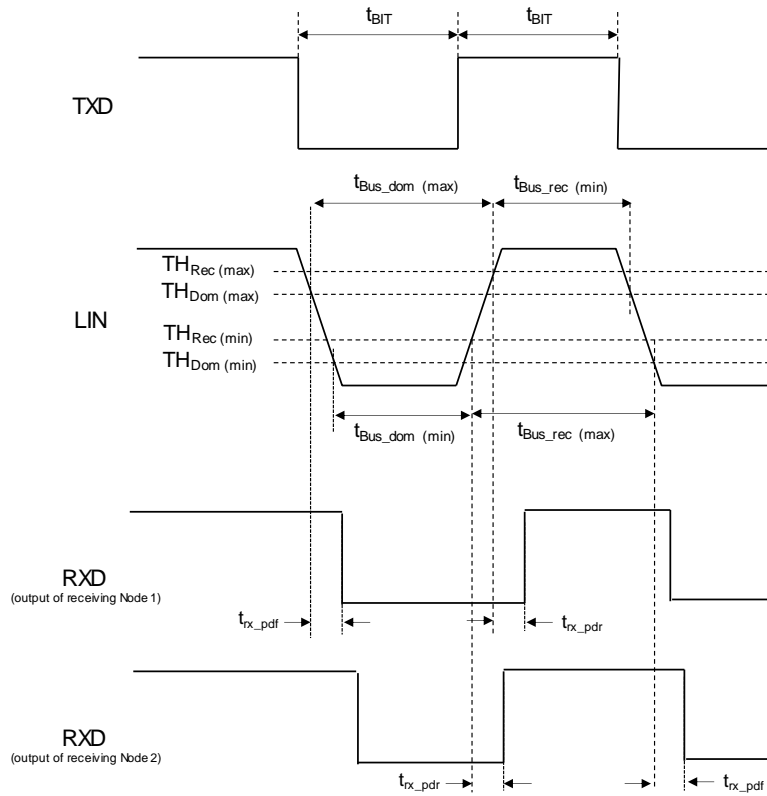


Figure 3. BUS timing parameter

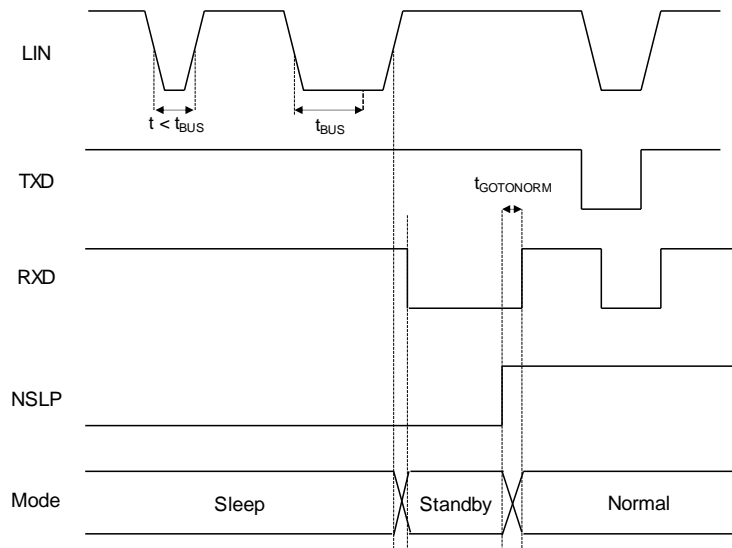


Figure 4. Change to Standby mode by remote wake-up and Change to Normal mode by the NSLP pin(Sleep→Standby→Normal)

Timing Chart – continued

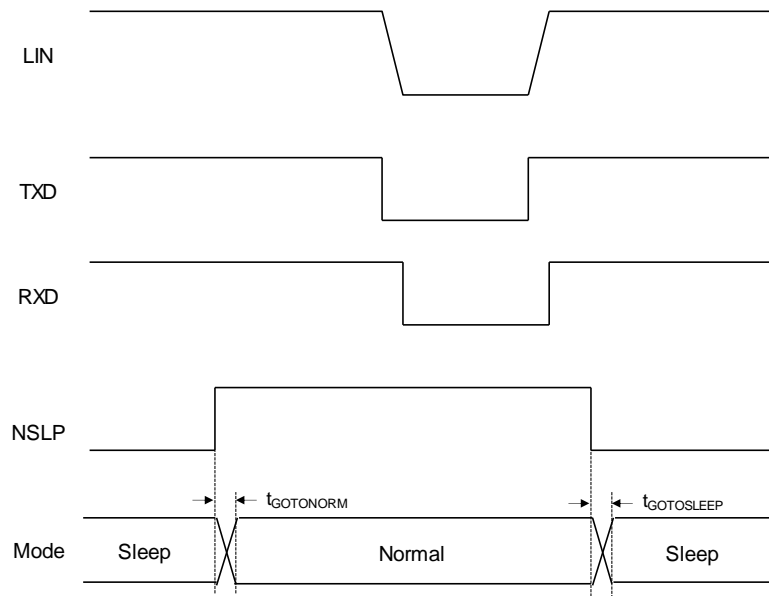


Figure 5. Change to Normal mode and Sleep mode by the NSLP pin(Sleep→Normal→Sleep)

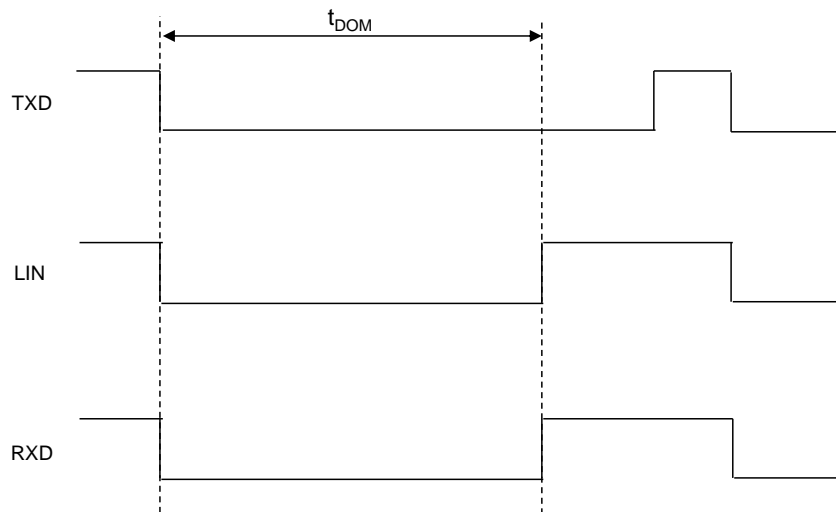
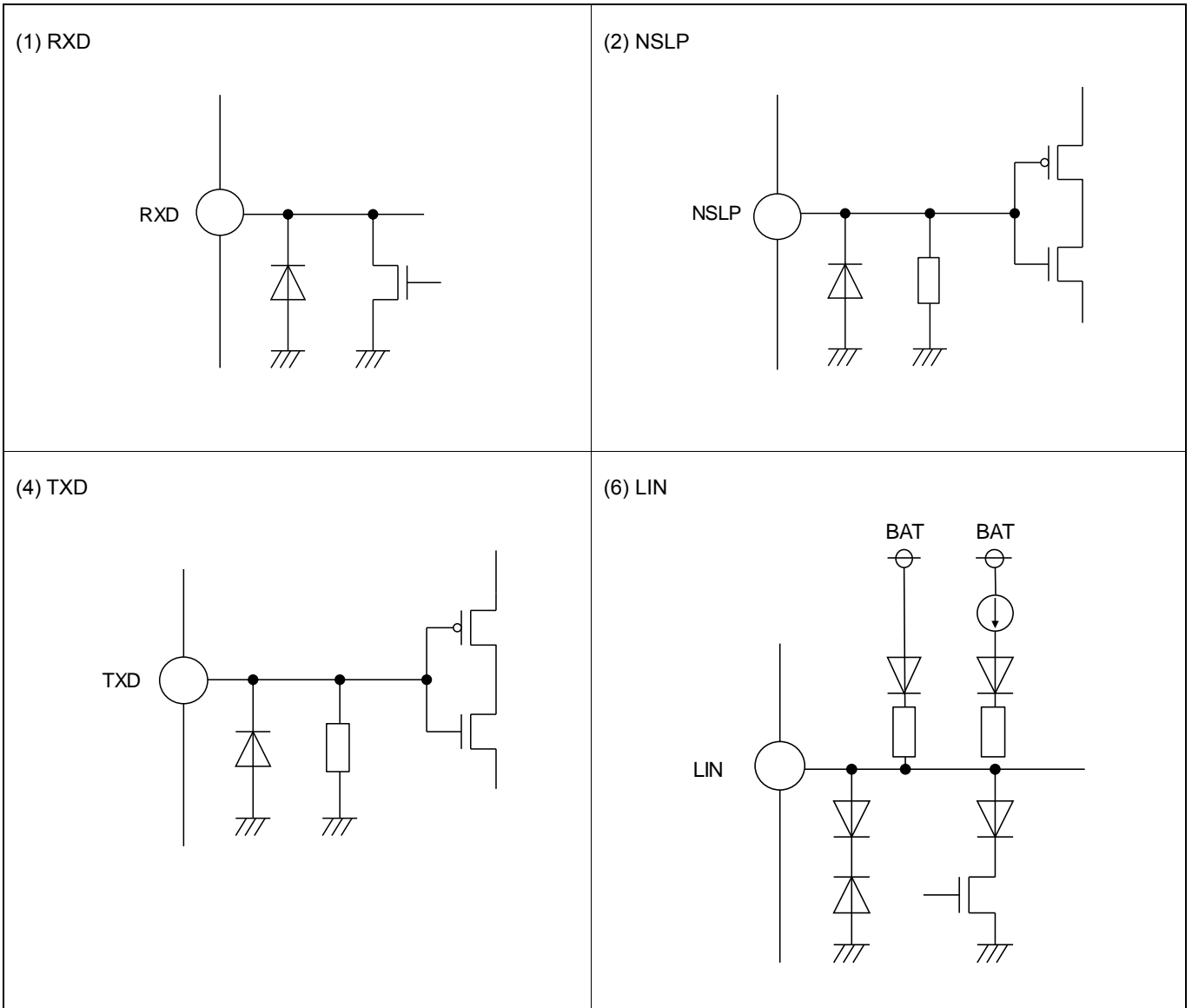


Figure 6. Fail-safe operation by the detection of TXD Dominant Timeout

I/O Equivalence Circuits



Operational Notes

1. Reverse Connection of Power Supply

Connecting the power supply in reverse polarity can damage the IC. Take precautions against reverse polarity when connecting the power supply, such as mounting an external diode between the power supply and the IC's power supply pins.

2. Power Supply Lines

Design the PCB layout pattern to provide low impedance supply lines. Furthermore, connect a capacitor to ground at all power supply pins. Consider the effect of temperature and aging on the capacitance value when using electrolytic capacitors.

3. Ground Voltage

Ensure that no pins are at a voltage below that of the ground pin at any time, even during transient condition.

4. Ground Wiring Pattern

When using both small-signal and large-current ground traces, the two ground traces should be routed separately but connected to a single ground at the reference point of the application board to avoid fluctuations in the small-signal ground caused by large currents. Also ensure that the ground traces of external components do not cause variations on the ground voltage. The ground lines must be as short and thick as possible to reduce line impedance.

5. Recommended Operating Conditions

The function and operation of the IC are guaranteed within the range specified by the recommended operating conditions. The characteristic values are guaranteed only under the conditions of each item specified by the electrical characteristics.

6. Inrush Current

When power is first supplied to the IC, it is possible that the internal logic may be unstable and inrush current may flow instantaneously due to the internal powering sequence and delays, especially if the IC has more than one power supply. Therefore, give special consideration to power coupling capacitance, power wiring, width of ground wiring, and routing of connections.

7. Testing on Application Boards

When testing the IC on an application board, connecting a capacitor directly to a low-impedance output pin may subject the IC to stress. Always discharge capacitors completely after each process or step. The IC's power supply should always be turned off completely before connecting or removing it from the test setup during the inspection process. To prevent damage from static discharge, ground the IC during assembly and use similar precautions during transport and storage.

8. Inter-pin Short and Mounting Errors

Ensure that the direction and position are correct when mounting the IC on the PCB. Incorrect mounting may result in damaging the IC. Avoid nearby pins being shorted to each other especially to ground, power supply and output pin. Inter-pin shorts could be due to many reasons such as metal particles, water droplets (in very humid environment) and unintentional solder bridge deposited in between pins during assembly to name a few.

9. Unused Input Pins

Input pins of an IC are often connected to the gate of a MOS transistor. The gate has extremely high impedance and extremely low capacitance. If left unconnected, the electric field from the outside can easily charge it. The small charge acquired in this way is enough to produce a significant effect on the conduction through the transistor and cause unexpected operation of the IC. So unless otherwise specified, unused input pins should be connected to the power supply or ground line.

Operational Notes – continued

10. Regarding the Input Pin of the IC

This monolithic IC contains P+ isolation and P substrate layers between adjacent elements in order to keep them isolated. P-N junctions are formed at the intersection of the P layers with the N layers of other elements, creating a parasitic diode or transistor. For example (refer to figure below):

When $GND > Pin A$ and $GND > Pin B$, the P-N junction operates as a parasitic diode.

When $GND > Pin B$, the P-N junction operates as a parasitic transistor.

Parasitic diodes inevitably occur in the structure of the IC. The operation of parasitic diodes can result in mutual interference among circuits, operational faults, or physical damage. Therefore, conditions that cause these diodes to operate, such as applying a voltage lower than the GND voltage to an input pin (and thus to the P substrate) should be avoided.

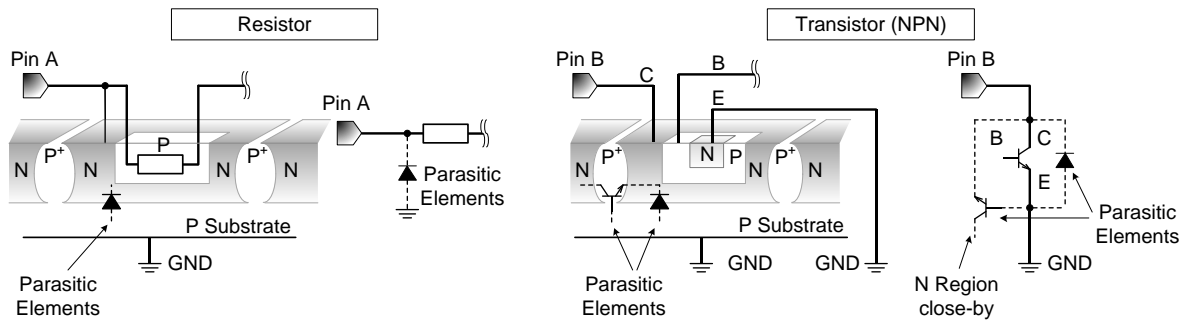


Figure 7. Example of Monolithic IC Structure

11. Ceramic Capacitor

When using a ceramic capacitor, determine a capacitance value considering the change of capacitance with temperature and the decrease in nominal capacitance due to DC bias and others.

12. Thermal Shutdown Circuit (TSD)

This IC has a built-in thermal shutdown circuit that prevents heat damage to the IC. Normal operation should always be within the IC's maximum junction temperature rating. If however the rating is exceeded for a continued period, the junction temperature (T_j) will rise which will activate the TSD circuit that will turn OFF power output pins. When the T_j falls below the TSD threshold, the circuits are automatically restored to normal operation.

Note that the TSD circuit operates in a situation that exceeds the absolute maximum ratings and therefore, under no circumstances, should the TSD circuit be used in a set design or for any purpose other than protecting the IC from heat damage.

13. Functional Safety

"ISO 26262 Process Compliant to Support ASIL-*"

A product that has been developed based on an ISO 26262 design process compliant to the ASIL level described in the datasheet.

"Safety Mechanism is Implemented to Support Functional Safety (ASIL-*)"

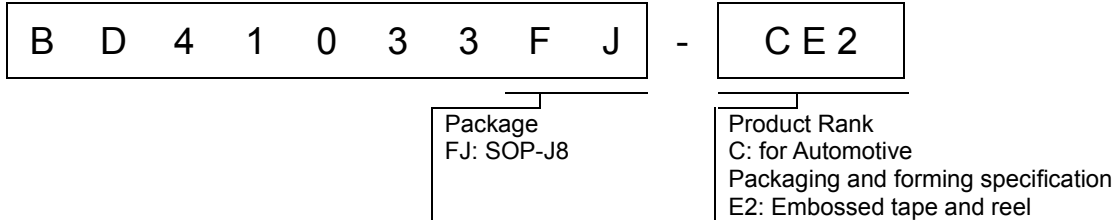
A product that has implemented safety mechanism to meet ASIL level requirements described in the datasheet.

"Functional Safety Supportive Automotive Products"

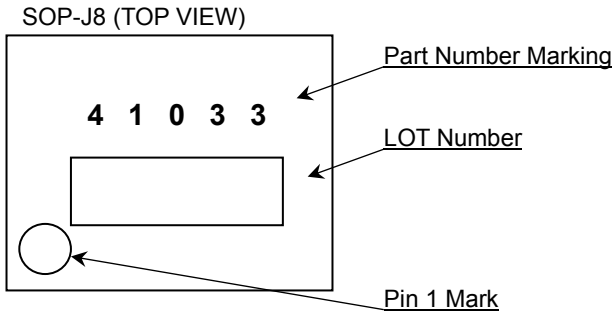
A product that has been developed for automotive use and is capable of supporting safety analysis with regard to the functional safety.

Note: "ASIL-*" is stands for the ratings of "ASIL-A", "-B", "-C" or "-D" specified by each product's datasheet.

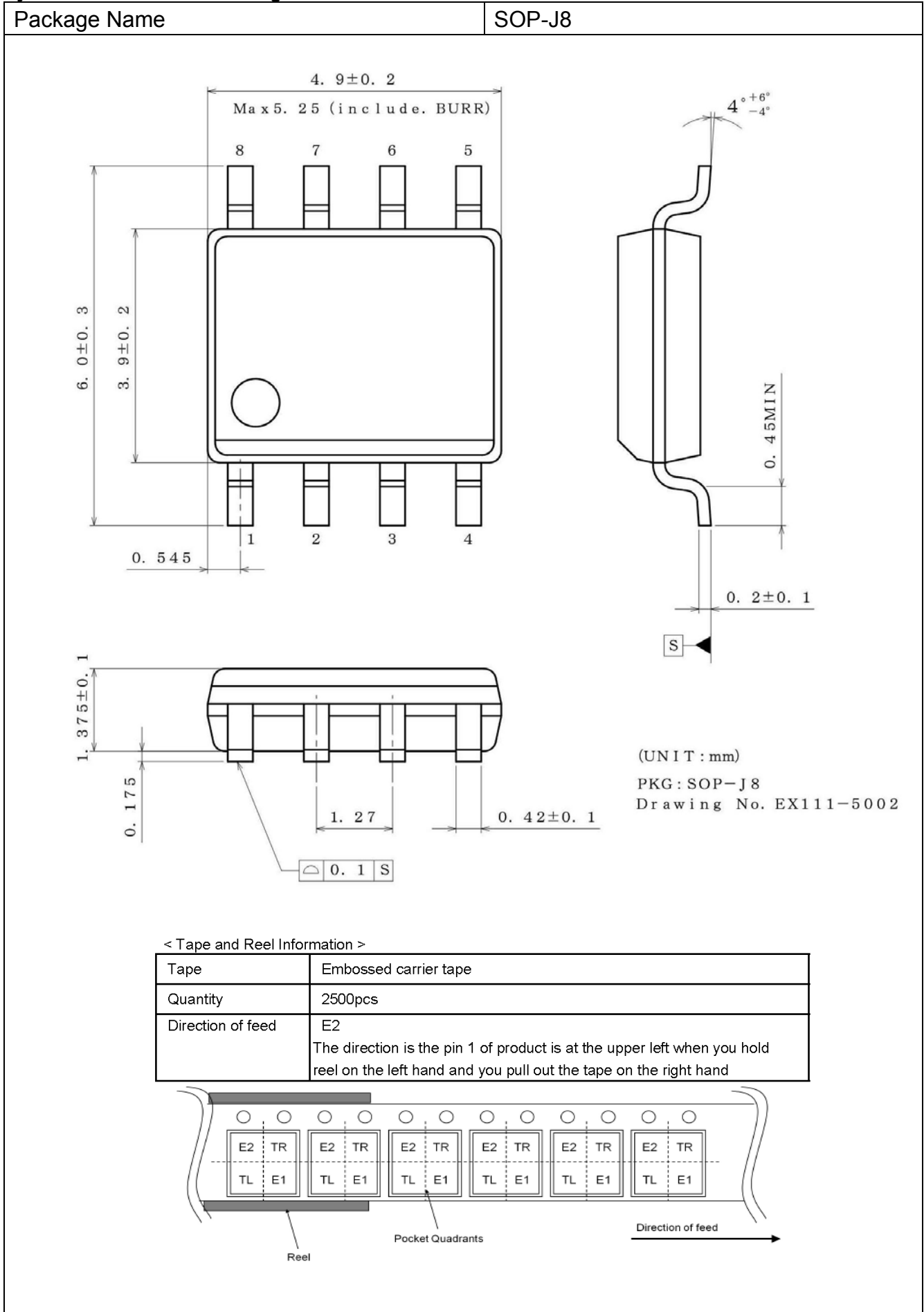
Ordering Information



Marking Diagram



Physical Dimension and Packing Information



Revision History

Date	Revision	Changes
24.Aug.2022	001	New Release

Notice

Precaution on using ROHM Products

1. If you intend to use our Products in devices requiring extremely high reliability (such as medical equipment ^(Note 1), aircraft/spacecraft, nuclear power controllers, etc.) and whose malfunction or failure may cause loss of human life, bodily injury or serious damage to property ("Specific Applications"), please consult with the ROHM sales representative in advance. Unless otherwise agreed in writing by ROHM in advance, ROHM shall not be in any way responsible or liable for any damages, expenses or losses incurred by you or third parties arising from the use of any ROHM's Products for Specific Applications.

(Note1) Medical Equipment Classification of the Specific Applications

JAPAN	USA	EU	CHINA
CLASS III	CLASS III	CLASS II b	CLASS III
CLASS IV		CLASS III	

2. ROHM designs and manufactures its Products subject to strict quality control system. However, semiconductor products can fail or malfunction at a certain rate. Please be sure to implement, at your own responsibilities, adequate safety measures including but not limited to fail-safe design against the physical injury, damage to any property, which a failure or malfunction of our Products may cause. The following are examples of safety measures:
 - [a] Installation of protection circuits or other protective devices to improve system safety
 - [b] Installation of redundant circuits to reduce the impact of single or multiple circuit failure
3. Our Products are not designed under any special or extraordinary environments or conditions, as exemplified below. Accordingly, ROHM shall not be in any way responsible or liable for any damages, expenses or losses arising from the use of any ROHM's Products under any special or extraordinary environments or conditions. If you intend to use our Products under any special or extraordinary environments or conditions (as exemplified below), your independent verification and confirmation of product performance, reliability, etc. prior to use, must be necessary:
 - [a] Use of our Products in any types of liquid, including water, oils, chemicals, and organic solvents
 - [b] Use of our Products outdoors or in places where the Products are exposed to direct sunlight or dust
 - [c] Use of our Products in places where the Products are exposed to sea wind or corrosive gases, including Cl₂, H₂S, NH₃, SO₂, and NO₂
 - [d] Use of our Products in places where the Products are exposed to static electricity or electromagnetic waves
 - [e] Use of our Products in proximity to heat-producing components, plastic cords, or other flammable items
 - [f] Sealing or coating our Products with resin or other coating materials
 - [g] Use of our Products without cleaning residue of flux (Exclude cases where no-clean type fluxes is used. However, recommend sufficiently about the residue.); or Washing our Products by using water or water-soluble cleaning agents for cleaning residue after soldering
 - [h] Use of the Products in places subject to dew condensation
4. The Products are not subject to radiation-proof design.
5. Please verify and confirm characteristics of the final or mounted products in using the Products.
6. In particular, if a transient load (a large amount of load applied in a short period of time, such as pulse, is applied, confirmation of performance characteristics after on-board mounting is strongly recommended. Avoid applying power exceeding normal rated power; exceeding the power rating under steady-state loading condition may negatively affect product performance and reliability.
7. De-rate Power Dissipation depending on ambient temperature. When used in sealed area, confirm that it is the use in the range that does not exceed the maximum junction temperature.
8. Confirm that operation temperature is within the specified range described in the product specification.
9. ROHM shall not be in any way responsible or liable for failure induced under deviant condition from what is defined in this document.

Precaution for Mounting / Circuit board design

1. When a highly active halogenous (chlorine, bromine, etc.) flux is used, the residue of flux may negatively affect product performance and reliability.
2. In principle, the reflow soldering method must be used on a surface-mount products, the flow soldering method must be used on a through hole mount products. If the flow soldering method is preferred on a surface-mount products, please consult with the ROHM representative in advance.

For details, please refer to ROHM Mounting specification

Precautions Regarding Application Examples and External Circuits

1. If change is made to the constant of an external circuit, please allow a sufficient margin considering variations of the characteristics of the Products and external components, including transient characteristics, as well as static characteristics.
2. You agree that application notes, reference designs, and associated data and information contained in this document are presented only as guidance for Products use. Therefore, in case you use such information, you are solely responsible for it and you must exercise your own independent verification and judgment in the use of such information contained in this document. ROHM shall not be in any way responsible or liable for any damages, expenses or losses incurred by you or third parties arising from the use of such information.

Precaution for Electrostatic

This Product is electrostatic sensitive product, which may be damaged due to electrostatic discharge. Please take proper caution in your manufacturing process and storage so that voltage exceeding the Products maximum rating will not be applied to Products. Please take special care under dry condition (e.g. Grounding of human body / equipment / solder iron, isolation from charged objects, setting of Ionizer, friction prevention and temperature / humidity control).

Precaution for Storage / Transportation

1. Product performance and soldered connections may deteriorate if the Products are stored in the places where:
 - [a] the Products are exposed to sea winds or corrosive gases, including Cl₂, H₂S, NH₃, SO₂, and NO₂
 - [b] the temperature or humidity exceeds those recommended by ROHM
 - [c] the Products are exposed to direct sunshine or condensation
 - [d] the Products are exposed to high Electrostatic
2. Even under ROHM recommended storage condition, solderability of products out of recommended storage time period may be degraded. It is strongly recommended to confirm solderability before using Products of which storage time is exceeding the recommended storage time period.
3. Store / transport cartons in the correct direction, which is indicated on a carton with a symbol. Otherwise bent leads may occur due to excessive stress applied when dropping of a carton.
4. Use Products within the specified time after opening a humidity barrier bag. Baking is required before using Products of which storage time is exceeding the recommended storage time period.

Precaution for Product Label

A two-dimensional barcode printed on ROHM Products label is for ROHM's internal use only.

Precaution for Disposition

When disposing Products please dispose them properly using an authorized industry waste company.

Precaution for Foreign Exchange and Foreign Trade act

Since concerned goods might be fallen under listed items of export control prescribed by Foreign exchange and Foreign trade act, please consult with ROHM in case of export.

Precaution Regarding Intellectual Property Rights

1. All information and data including but not limited to application example contained in this document is for reference only. ROHM does not warrant that foregoing information or data will not infringe any intellectual property rights or any other rights of any third party regarding such information or data.
2. ROHM shall not have any obligations where the claims, actions or demands arising from the combination of the Products with other articles such as components, circuits, systems or external equipment (including software).
3. No license, expressly or implied, is granted hereby under any intellectual property rights or other rights of ROHM or any third parties with respect to the Products or the information contained in this document. Provided, however, that ROHM will not assert its intellectual property rights or other rights against you or your customers to the extent necessary to manufacture or sell products containing the Products, subject to the terms and conditions herein.

Other Precaution

1. This document may not be reprinted or reproduced, in whole or in part, without prior written consent of ROHM.
2. The Products may not be disassembled, converted, modified, reproduced or otherwise changed without prior written consent of ROHM.
3. In no event shall you use in any way whatsoever the Products and the related technical information contained in the Products or this document for any military purposes, including but not limited to, the development of mass-destruction weapons.
4. The proper names of companies or products described in this document are trademarks or registered trademarks of ROHM, its affiliated companies or third parties.

General Precaution

1. Before you use our Products, you are requested to carefully read this document and fully understand its contents. ROHM shall not be in any way responsible or liable for failure, malfunction or accident arising from the use of any ROHM's Products against warning, caution or note contained in this document.
2. All information contained in this document is current as of the issuing date and subject to change without any prior notice. Before purchasing or using ROHM's Products, please confirm the latest information with a ROHM sales representative.
3. The information contained in this document is provided on an "as is" basis and ROHM does not warrant that all information contained in this document is accurate and/or error-free. ROHM shall not be in any way responsible or liable for any damages, expenses or losses incurred by you or third parties resulting from inaccuracy or errors of or concerning such information.