

Structure : Silicon Monolithic Integrated Circuit  
Product : 3 Dual operational amplifier with switch for car audio systems

Type : **BA3131FS**

- Function :
1. High gain and low distortion. ( $G_v = 110\text{dB}$ ,  $\text{THD} = 0.0015\%$  typ.)
  2. Low noise. ( $V_n = 2\mu\text{Vrms}$  typ.)
  3. Switching circuit can be directly coupled to microcomputer port.
  4. Small switching noise.
  5. Equipped with  $1/2 V_{cc}$  output circuit for single power supply.

Absolute Maximum Ratings ( $T_a=25^\circ\text{C}$ )

Parameter	Symbol	Rating	Unit
Power supply voltage	$V_{cc}$	18.0	V
Power dissipation	$P_d$	750*	mW
Operating temperature	$T_{opr}$	$-40 \sim +85$	$^\circ\text{C}$
Storage temperature	$T_{astg}$	$-55 \sim +125$	$^\circ\text{C}$
Common-mode input voltage	$V_i$	$3 \sim V_{cc}$	V
Differential input voltage	$V_{id}$	$V_{cc}$	V
Load current	$I_{oMax.}$	$\pm 50.0$	mA

※ This value decreases  $7.5 \text{ mW}/^\circ\text{C}$  for  $T_a=25^\circ\text{C}$  or more.  
(When mounted on a glass epoxy board (90mm × 50mm × 1.6t))

Operating Voltage Range ( $T_a=25^\circ\text{C}$ )

Parameter	Symbol	Min.	Typ.	Max.	Unit	Conditions
Power supply voltage	$V_{cc}$	6.0	8.0	16.0	V	Single power source

Application example

Note that ROHM cannot provide adequate confirmation of patents.

The product described in this specification is designed to be used with ordinary electronic equipment or devices (such as audio-visual equipment, office-automation equipment, communications devices, electrical appliances, and electronic toys).

Should you intend to use this product with equipment or devices which require an extremely high level of reliability and the malfunction of which would directly endanger human life (such as medical instruments, transportation equipment, aerospace machinery, nuclear-reactor controllers, fuel controllers and other safety devices), please be sure to consult with our sales representative in advance.

Electrical characteristics

(unless otherwise noted,  $T_a=25^{\circ}\text{C}$ ,  $V_{cc}=8\text{V}$ )

Parameter	Symbol	Limit			Unit	Conditions
		Min.	Typ.	Max.		
Quiescent current	$I_q$	2.0	4.9	7.8	mA	$V_{IN}=0, R_L=\infty, \text{SW pin open}$
Input offset voltage	$V_{io}$	—	0.5	5.0	mV	$R_S \leq 10\text{k}\Omega$
Input offset current	$I_{io}$	—	5	200	nA	
Input bias current	$I_b$	—	50	500	nA	*1
High-amplitude voltage gain	$A_{vol}$	86	110	—	dB	$R_L \geq 2\text{k}\Omega, V_O = \pm 1.5\text{V}$
Common-mode input voltage	$V_{icm}$	3	6	—	V	
In-phase signal rejection ratio	CMRR	60	72	—	dB	$R_S \leq 10\text{k}\Omega$
Power supply voltage rejection ratio	PSRR	76	90	—	dB	$R_S \leq 10\text{k}\Omega$
Maximum output voltage	$V_{OH}/V_{OL}$	3	6	—	V	$R_L \geq 10\text{k}\Omega$
		3	6	—	V	$R_L \geq 2\text{k}\Omega$
Input conversion noise voltage	$V_n$	—	2.0	4.0	$\mu\text{V}_{rms}$	*2
Reference voltage change	$\Delta V_{REF}$	—	—	$\pm 10$	mV	$I_{oref} = \pm 1\text{mA}$

- 0. 1 Because the first stage is configured with PNP transistors, input bias current is from the IC.
- 0. 2 Tested under the following conditions:  $G_v = 40\text{dB}$ ,  $R_S = 2\text{k}\Omega$ , Matsushita Tsuko VP-9690A (using DIN audio filter)

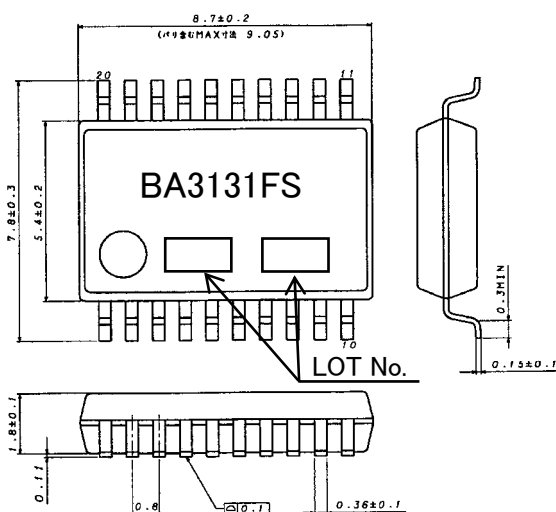
Design guaranteed values

(unless otherwise noted,  $T_a=25^{\circ}\text{C}$ ,  $V_{cc}=8\text{V}$ )

Parameter	Symbol	Limit			Unit	Conditions
		Min.	Typ.	Max.		
Slew rate	SR	0.5	1.2	—	$\text{V}/\mu\text{S}$	$G_v = 0\text{dB}, R_L = 2\text{k}\Omega$
Gainbandwidth product	GBW	1.5	2.6	—	MHz	$f = 10\text{kHz}$
Crosstalk between A, B and C	$CT_{ABC}$	60	73	—	dB	$f = 1\text{kHz}$
Total harmonic distortion	THD	—	0.0025	0.01	%	$G_v = 0\text{dB}, f = 1\text{kHz}, V_o = 1\text{V}_{rms}$
Channel separation	CS	90	115	—	dB	$f = 1\text{kHz}, \text{input conversion}$

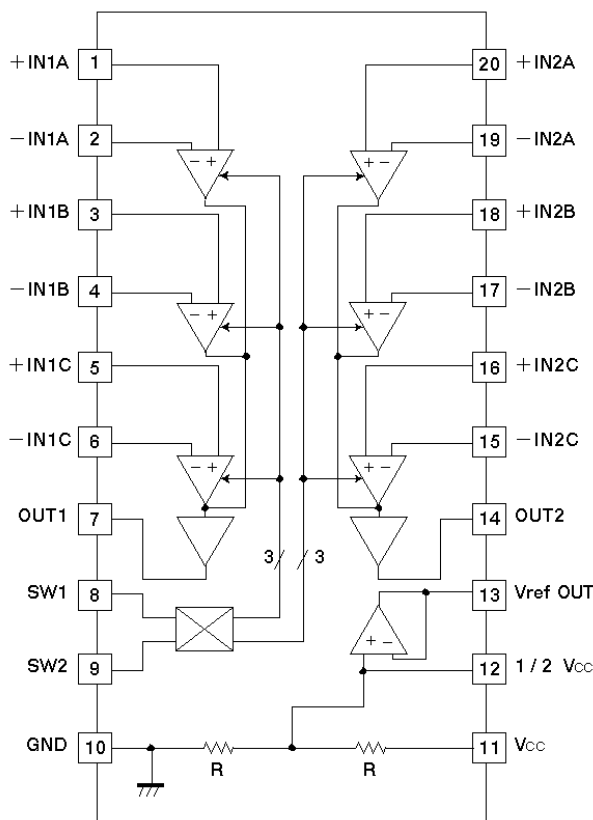
※ This item is not guaranteed during processes.

Outline Dimension



SSOP-A20 (Unit:mm)

Block Diagram



Terminal Number/ Terminal Name

Terminal Number	Terminal Name
1	+IN1A
2	-IN1A
3	+IN1B
4	-IN1B
5	+IN1C
6	-IN1C
7	OUT1
8	SW1
9	SW2
10	GND
11	Vcc
12	1/2 Vcc
13	Vref OUT
14	OUT2
15	-IN2C
16	+IN2C
17	-IN2B
18	+IN2B
19	-IN2A
20	+IN2A

Application example

- (1) Numbers and data in entries are representative design values and are not guaranteed values of the items.
- (2) Although we are confident in recommending the sample application circuits, carefully check their characteristics further when using them. When modifying externally attached component constants before use, determine them so that they have sufficient margins by taking into account variations in externally attached components and the Rohm LSI, not only for static characteristics but also including transient characteristics.
- (3) Absolute maximum ratings  
If applied voltage, operating temperature range, or other absolute maximum ratings are exceeded, the LSI may be damaged. Do not apply voltages or temperatures that exceed the absolute maximum ratings. If you think of a case in which absolute maximum ratings are exceeded, enforce fuses or other physical safety measures and investigate how not to apply the conditions under which absolute maximum ratings are exceeded to the LSI.
- (4) GND potential  
Make the GND pin voltage such that it is the lowest voltage even when operating below it. Actually confirm that the voltage of each pin does not become a lower voltage than the GND pin, including transient phenomena.
- (5) Thermal design  
Perform thermal design in which there are adequate margins by taking into account the allowable power dissipation in actual states of use.

(6) Shorts between pins and misinstallation

When mounting the LSI on a board, pay adequate attention to orientation and placement discrepancies of the LSI. If it is misinstalled and the power is turned on, the LSI may be damaged. It also may be damaged if it is shorted by a foreign substance coming between pins of the LSI or between a pin and a power supply or a pin and a GND.

(7) Operation in strong magnetic fields

Adequately evaluate use in a strong magnetic field, since there is a possibility of malfunction.

(8) The 13 Pin is the reference output terminal, which outputs  $1/2 V_{cc}$ . Determine the bypass condenser value in accordance with the desired characteristics. In addition, as the value may oscillate within the 500pF– 1 $\mu$ F, make sure to set the bypass condenser value of more than 10 $\mu$ F for alternate grounding. Further, as 12 pin is located in the reference circuit, make sure to use bypass condenser for ac grounding for reference output. (Recommended value 22 $\mu$ F)

●Reference data (these values are intended only as a reference, and performance is not guaranteed)

12 pin bypass capacitor ( $\mu$ F)	Ripple Rejection ( $f_{in}=100\text{Hz}$ ) (dB)	Output Startup Time
10	-35	150
22	-42	300
47	-48	550

\* Measuring condition: With Power Voltage ON ( $V_{cc}=8\text{V}$ ),  $V_{cc}$  path control, 13 pin path control 100 $\mu$ F, the time which is 90% of equilibrium output voltage

(9) This IC can be stably used in the low gain range (0–2dB). It may oscillate at the capacity load of more than 200pF. [the phase margin 10° Typ. ( $T_a=85^\circ\text{C}$ , 0dB point) for capacity 200pF] Therefore, caution is required for using capacity load.

In addition, for using 0db buffer, inserting bias resistor of  $k\Omega$  to minus input will enable stable use against the capacity load.

(10) Truth value table

	ch1	ch2	ch3	OFF	Conditions
SW1 (8pin)	H	H	L	L	Corresponds to $\mu$ COM output
SW2 (9pin)	H	L	H	L	

※“H” when the applied at pins 8 and 9 is 2.0V or more, and “L” when it is 1.0V or less.

## Notes

No copying or reproduction of this document, in part or in whole, is permitted without the consent of ROHM Co.,Ltd.

The content specified herein is subject to change for improvement without notice.

The content specified herein is for the purpose of introducing ROHM's products (hereinafter "Products"). If you wish to use any such Product, please be sure to refer to the specifications, which can be obtained from ROHM upon request.

Examples of application circuits, circuit constants and any other information contained herein illustrate the standard usage and operations of the Products. The peripheral conditions must be taken into account when designing circuits for mass production.

Great care was taken in ensuring the accuracy of the information specified in this document. However, should you incur any damage arising from any inaccuracy or misprint of such information, ROHM shall bear no responsibility for such damage.

The technical information specified herein is intended only to show the typical functions of and examples of application circuits for the Products. ROHM does not grant you, explicitly or implicitly, any license to use or exercise intellectual property or other rights held by ROHM and other parties. ROHM shall bear no responsibility whatsoever for any dispute arising from the use of such technical information.

The Products specified in this document are intended to be used with general-use electronic equipment or devices (such as audio visual equipment, office-automation equipment, communication devices, electronic appliances and amusement devices).

The Products specified in this document are not designed to be radiation tolerant.

While ROHM always makes efforts to enhance the quality and reliability of its Products, a Product may fail or malfunction for a variety of reasons.

Please be sure to implement in your equipment using the Products safety measures to guard against the possibility of physical injury, fire or any other damage caused in the event of the failure of any Product, such as derating, redundancy, fire control and fail-safe designs. ROHM shall bear no responsibility whatsoever for your use of any Product outside of the prescribed scope or not in accordance with the instruction manual.

The Products are not designed or manufactured to be used with any equipment, device or system which requires an extremely high level of reliability the failure or malfunction of which may result in a direct threat to human life or create a risk of human injury (such as a medical instrument, transportation equipment, aerospace machinery, nuclear-reactor controller, fuel-controller or other safety device). ROHM shall bear no responsibility in any way for use of any of the Products for the above special purposes. If a Product is intended to be used for any such special purpose, please contact a ROHM sales representative before purchasing.

If you intend to export or ship overseas any Product or technology specified herein that may be controlled under the Foreign Exchange and the Foreign Trade Law, you will be required to obtain a license or permit under the Law.



Thank you for your accessing to ROHM product informations.  
More detail product informations and catalogs are available, please contact us.

### ROHM Customer Support System

<http://www.rohm.com/contact/>