

By Category PDF

Category Full SiC Power Modules

Power Devices

Full SiC Power Modules

Full SiC Power Modules — 137

Full SiC Power Modules

Full SiC Power Modules

P.137

Full SiC Power Modules

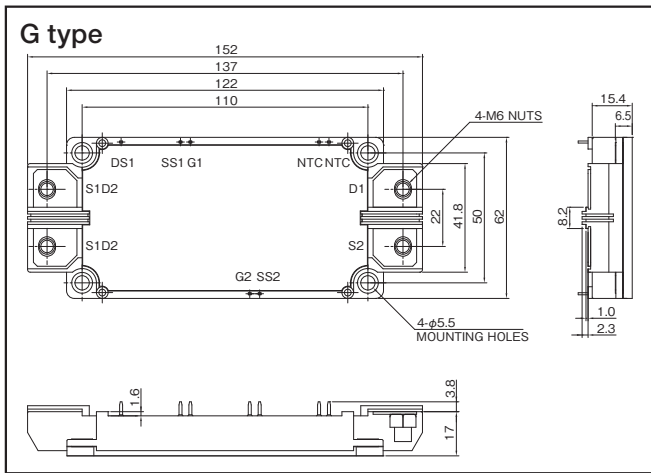
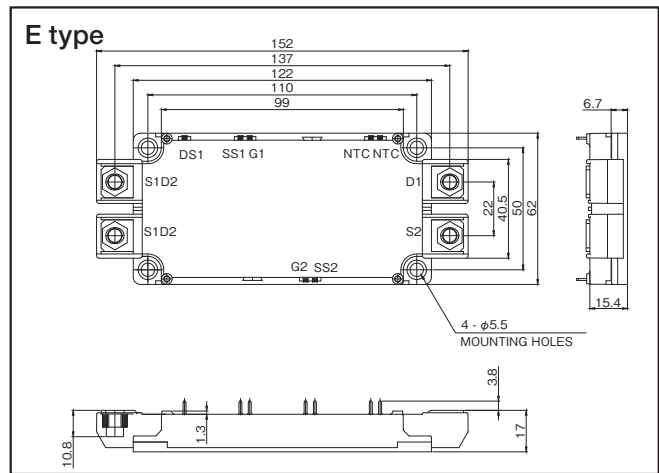
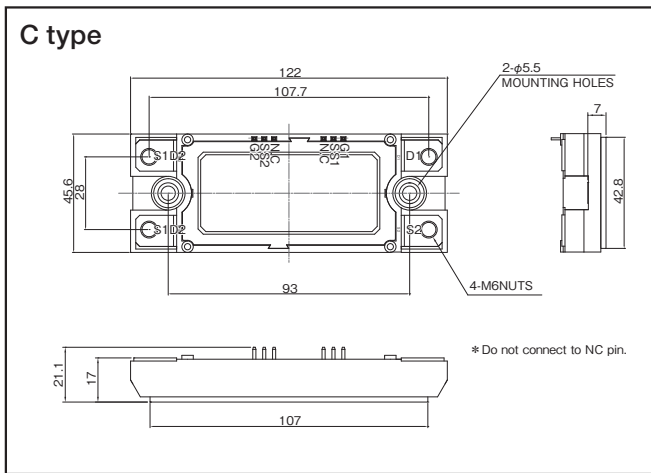
● Quick Reference for Full SiC Power Modules

V _{DSS} (V)	R _{DS(on)} (mΩ)	Case type		
		C type	E type	G type
1,200	34	BSM080D12P2C008	9	
	20	BSM120D12P2C005 BSM120C12P2C201	10 1	
	12.8	BSM180D12P2C101	8	
	12.2			BSM180C12P2E202 BSM180D12P2E002
	10	BSM180D12P3C007 BSM180C12P3C202	11 2	3 15
	7.3			BSM300D12P2E001
	6.3			BSM300C12P3E201 BSM300C12P3E301
	5.75			
	5.55			BSM300D12P3E005
	4.5			
	4			
	3.3			
	3			
	2.7			
1,700	8			BSM250D17P2E004

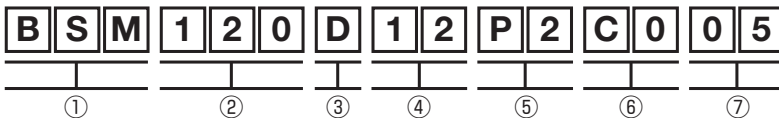
Full SiC Power Modules									
No.	Part No.	Absolute Maximum Ratings (T _J =25°C)						Package	Internal Circuit
		V _{DSS} (V)	R _{DS(on)} (mΩ)	I _D (A)	T _J (°C)	T _{stg} (°C)	Visol (V) AC 1min		
Boost chopper/Step down chopper type									
1	BSM120C12P2C201	1,200	20	120	-40 to +175	-40 to +125	2,500	C type	
2	BSM180C12P3C202		10	180	-40 to +175	-40 to +125	2,500		
3	BSM180C12P2E202		12.2	180	-40 to +175	-40 to +125	2,500	E type	
4	BSM300C12P3E201		6.3	300	-40 to +175	-40 to +125	2,500		
5	BSM400C12P3G202		4.5	400	-40 to +175	-40 to +125	2,500	G type	
6	BSM600C12P3G201		3	600	-40 to +175	-40 to +125	2,500		
7	BSM300C12P3E301		6.3	300	-40 to +175	-40 to +125	2,500	E type	
Half bridge type									
8	BSM180D12P2C101	1,200	12.8	180	-40 to +175	-40 to +125	2,500	C type	
9	BSM080D12P2C008		34	80	-40 to +175	-40 to +125	2,500		
10	BSM120D12P2C005		20	120	-40 to +175	-40 to +125	2,500	E type	
11	BSM180D12P3C007		10	180	-40 to +175	-40 to +125	2,500		
12	New BSM300D12P4G101		4	300	-40 to +175	-40 to +125	2,500	G type	
13	New BSM450D12P4G102		3.3	450	-40 to +175	-40 to +125	2,500		
14	New BSM600D12P4G103		2.7	600	-40 to +175	-40 to +125	2,500	E type	
15	BSM180D12P2E002		12.2	180	-40 to +175	-40 to +125	2,500		
16	BSM300D12P2E001		7.3	300	-40 to +175	-40 to +125	2,500	G type	
17	BSM300D12P3E005		5.55	300	-40 to +175	-40 to +125	2,500		
18	BSM400D12P2G003		5.75	400	-40 to +175	-40 to +125	2,500	E type	
19	BSM400D12P3G002		4.5	400	-40 to +175	-40 to +125	2,500		
20	BSM600D12P3G001		3	600	-40 to +175	-40 to +125	2,500	G type	
21	BSM250D17P2E004		1,700	8	250	-40 to +175	-40 to +125		3,400

Full SiC Power Modules

●Dimensions (Unit: mm)



●Part No. Explanation



- ① SiC Power Module
- ② Rated Current
- ③ C → Entering 1 circuit
D → Entering 2 circuit
- ④ Breakdown Voltage
Example 12 → 1,200V
- ⑤ Device type
P2 2nd generation SiC MOSFET
P3 3rd generation SiC MOSFET
- ⑥ Case type
- ⑦ Additional Number