

Secondary Buck DC/DC Converter

Single Synchronous Buck DC/DC Converter For Automotive BD9S200MUF-C Evaluation Board

BD9S200MUF-TSB-001 (2.7V to 5.5V Input, 2A)

Introduction

This user's guide will provide the necessary steps to operate the Evaluation Board of ROHM's BD9S200MUF-C Buck DC/DC converter. This includes the external parts, operating procedures and application data.

Description

This Evaluation Board was developed for ROHM's single Synchronous buck DC/DC converter BD9S200MUF-C. It is a synchronous buck DC/DC converter with built-in low On Resistance power MOSFETs. The BD9S200MUF-C accepts a power supply input range of 2.7V to 5.5V and generates a maximum output current of 2A. The SLLM™ control provides excellent efficiency characteristics in light-load conditions which make the product ideal for reducing standby power consumption of equipment. BD9S200MUF-C is a current mode control DC/DC Converter and features high-speed transient response.

Application

- Automotive Equipment
- Other Electronic Equipment

Recommended Operating Conditions

Table 1. Recommended Operating Conditions

Parameter	Min	Typ	Max	Units	Conditions
Input Voltage	2.7	-	5.5	V	
Output Voltage for BD9S200MUF-C (Note1)	0.8	-	VPVIN×0.8	V	
Output Current Range	-	-	2.0	A	
Switching Frequency	-	2.2	-	MHz	
Maximum Efficiency (Vo=3.3V)	-	92.1	-	%	VIN=5.0V, Io=1.0A, Ta=25°C
Maximum Efficiency (Vo=1.0V)	-	82.1	-	%	VIN=3.3V, Io=0.65A, Ta=25°C

(Note 1) Although the minimum output voltage is configurable up to 0.8 V, it may be limited by the SW min ON pulse width.

SW Minimum ON Time that BD9S200MUF-C can output stably in the entire load range is 95ns. Use the value to calculate the input

and output conditions that satisfy the equation of $95[\text{ns}] \leq \frac{V_{out}}{V_{IN} \times f_{SW}}$

Evaluation Board

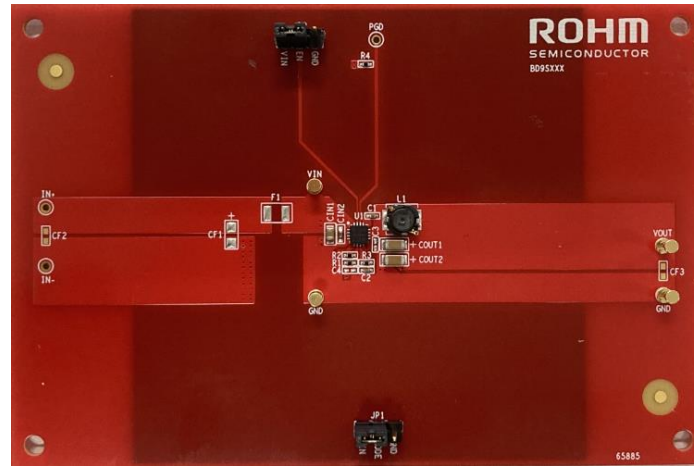


Figure 3. Evaluation Board Top View

Evaluation Board Schematic

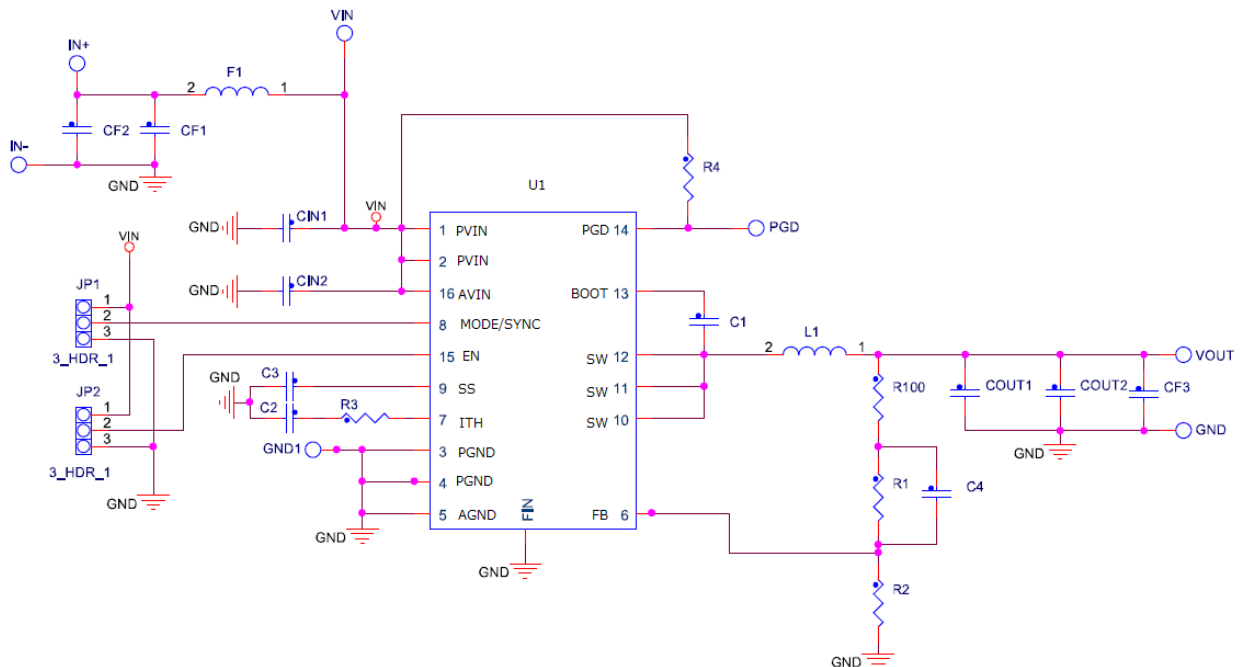


Figure 4. Circuit Diagram

Operating Procedure

1. Turn off EN and connect the GND terminal of the power supply to the GND terminal of Evaluation Board.
2. Connect power supply to the VIN pin of the Evaluation Board.
3. Connect the load to the Evaluation Board's VOUT and GND terminals. When using an electronic load, connect with the load turned off.
4. Connect a voltmeter to the Evaluation Board's VOUT and GND terminals.
5. Turn on the Power supply of VIN. Turn ON the switch of EN terminal.
6. Make sure that the voltmeter is set to measure voltage.
7. Turn on the electronic load.

(Caution) This Evaluation Board does not support hot plug. Do not perform hot plug test.

(Note) If EN=High (EN short to VIN) before Power ON, the turn ON and turn OFF is controlled by VIN only.

Pin Configuration

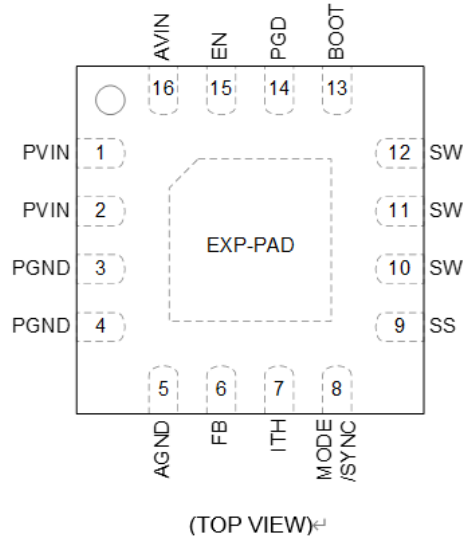


Figure 5. Pin Configuration

Pin Description

Table 2. Mode Terminal Description

Terminal	Setting	Operation Mode	Function
MODE / SYNC	HIGH	SLLM™ control	Automatically switched between SLLM™ control and PWM mode.
	LOW or OPEN	Forced PWM	Forced PWM mode
	Pulse signal (Note)	SYNC	External synchronization mode

(Note) When pulse signal is applied at a frequency of 1.8MHz or higher, the external synchronization operation is started after the falls of the synchronous pulse are detected 7 times. Input the signal with the synchronization frequency range between 1.8MHz and 2.4MHz and the duty range between 25% and 75%

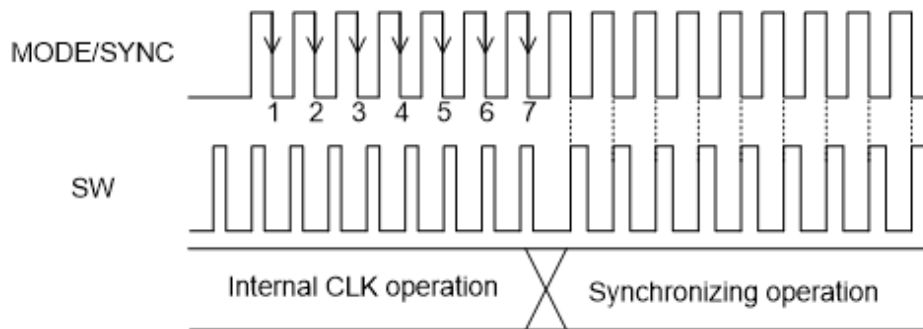


Figure 6. External Synchronization Function Timing Chart

Table 3. VIN and EN Terminal Description

VIN PIN	EN PIN	VOUT
$VIN \geq 2.55V(TYP)$	$EN \geq 2.0V$	Start up with Soft Start
$VIN \geq 2.55V(TYP)$	$EN \leq 0.8V$	Shutdown
$VIN \leq 2.45V(TYP)$	-	Shutdown

Table 4. FB and PGD Terminal Description

FB PIN	Power Good Output
In the range of $0.8V(TYP) \pm 7\%$	HIGH
Out the range of $0.8V(TYP) \pm 10\%$	LOW

(Note) PGD pin is an output of open drain MOSFET, and the PGD pin is pulled down with impedance of 30Ω (TYP). It is recommended to use a pull-up resistor of $10k\Omega$ to $100k\Omega$ for the power source.

Table 5. EN and FB Terminal Description

EN Pin	FB PIN	Protection	Protection item
$EN \geq 2.0V$	$FB \geq 0.6V(TYP)$	Enabled	-
	$FB \leq 0.56V$ and remains $1ms(TYP)$		SCP
	$FB \geq 0.88V(TYP)$		OVP
$EN \leq 0.8V$	-	Disabled	-

(Note) When the FB pin voltage has fallen to $0.56V$ (TYP) or less and remained there for $1ms$ (TYP), SCP stops the operation for $14ms$ (TYP) and subsequently initiates a restart.

When the FB pin voltage becomes over or equal to $0.88V$ (TYP), which is Output Over Voltage Protection Detection Voltage, the MOSFETs on the output stage are turned OFF to prevent the increase in the output voltage.

Parts list

Table 6. Parts list (VOUT=1.0V, VIN=3.3V)

No	Package	Parameters	Part Name (Series)	Type	Manufacturer
L1		1.0μH	CLF5030NIT-1R0N-D	Inductor	TDK
COUT1	3216	22μF, X7R, 6.3V	GCM31CR70J226K	Ceramic Capacitor	Murata
COUT2	3216	22μF, X7R, 6.3V	GCM31CR70J226K	Ceramic Capacitor	Murata
CIN1	2012	10μF, X7R, 10V	GCM21BR71A106K	Ceramic Capacitor	Murata
CIN2	1005	0.1μF, X7R, 16V	GCM155R71C104K	Ceramic Capacitor	Murata
R100	-	SHORT	-	-	-
R1	1005	7.5kΩ, 1%, 1/16W	MCR01MZPF7501	Chip Resistor	ROHM
R2	1005	30kΩ, 1%, 1/16W	MCR01MZPF3002	Chip Resistor	ROHM
R3	1005	8.2kΩ, 1%, 1/16W	MCR01MZPF8201	Chip Resistor	ROHM
R4	1005	100kΩ, 1%, 1/16W	MCR01MZPF1003	Chip Resistor	ROHM
C1	1005	0.1μF, X7R, 16V	GCM155R71C104K	Ceramic Capacitor	Murata
C2	1005	4700pF, X7R, 50V	GCM155R71H472K	Ceramic Capacitor	Murata
C3	-	-	-	-	-
C4	-	-	-	-	-
F1	-	-	-	-	-
CF1	-	-	-	-	-
CF2	-	-	-	-	-
CF3	-	-	-	-	-

Table 7. Parts list (VOUT=1.2V, VIN=5.0V)

No	Package	Parameters	Part Name (Series)	Type	Manufacturer
L1		1.0μH	CLF5030NIT-1R0N-D	Inductor	TDK
COUT1	3216	22μF, X7R, 6.3V	GCM31CR70J226K	Ceramic Capacitor	Murata
COUT2	3216	22μF, X7R, 6.3V	GCM31CR70J226K	Ceramic Capacitor	Murata
CIN1	2012	10μF, X7R, 10V	GCM21BR71A106K	Ceramic Capacitor	Murata
CIN2	1005	0.1μF, X7R, 16V	GCM155R71C104K	Ceramic Capacitor	Murata
R100	-	SHORT	-	-	-
R1	1005	10kΩ, 1%, 1/16W	MCR01MZPF1002	Chip Resistor	ROHM
R2	1005	20kΩ, 1%, 1/16W	MCR01MZPF2002	Chip Resistor	ROHM
R3	1005	8.2kΩ, 1%, 1/16W	MCR01MZPF8201	Chip Resistor	ROHM
R4	1005	100kΩ, 1%, 1/16W	MCR01MZPF1003	Chip Resistor	ROHM
C1	1005	0.1μF, X7R, 16V	GCM155R71C104K	Ceramic Capacitor	Murata
C2	1005	4700pF, X7R, 50V	GCM155R71H472K	Ceramic Capacitor	Murata
C3	-	-	-	-	-
C4	-	-	-	-	-
F1	-	-	-	-	-
CF1	-	-	-	-	-
CF2	-	-	-	-	-
CF3	-	-	-	-	-

Table 8. Parts list (VOUT=1.5V, VIN=5.0V)

No	Package	Parameters	Part Name (Series)	Type	Manufacturer
L1		1.0μH	CLF5030NIT-1R0N-D	Inductor	TDK
COUT1	3216	22μF, X7R, 6.3V	GCM31CR70J226K	Ceramic Capacitor	Murata
COUT2	3216	22μF, X7R, 6.3V	GCM31CR70J226K	Ceramic Capacitor	Murata
CIN1	2012	10μF, X7R, 10V	GCM21BR71A106K	Ceramic Capacitor	Murata
CIN2	1005	0.1μF, X7R, 16V	GCM155R71C104K	Ceramic Capacitor	Murata
R100	-	SHORT	-	-	-
R1	1005	16kΩ, 1%, 1/16W	MCR01MZPF1602	Chip Resistor	ROHM
R2	1005	18kΩ, 1%, 1/16W	MCR01MZPF1802	Chip Resistor	ROHM
R3	1005	12kΩ, 1%, 1/16W	MCR01MZPF1202	Chip Resistor	ROHM
R4	1005	100kΩ, 1%, 1/16W	MCR01MZPF1003	Chip Resistor	ROHM
C1	1005	0.1μF, X7R, 16V	GCM155R71C104K	Ceramic Capacitor	Murata
C2	1005	3300pF, X7R, 50V	GCM155R71H332K	Ceramic Capacitor	Murata
C3	-	-	-	-	-
C4	-	-	-	-	-
F1	-	-	-	-	-
CF1	-	-	-	-	-
CF2	-	-	-	-	-
CF3	-	-	-	-	-

Table 9. Parts list (VOUT=1.8V, VIN=5.0V)

No	Package	Parameters	Part Name (Series)	Type	Manufacturer
L1		1.0μH	CLF5030NIT-1R0N-D	Inductor	TDK
COUT1	3216	22μF, X7R, 6.3V	GCM31CR70J226K	Ceramic Capacitor	Murata
COUT2	3216	22μF, X7R, 6.3V	GCM31CR70J226K	Ceramic Capacitor	Murata
CIN1	2012	10μF, X7R, 10V	GCM21BR71A106K	Ceramic Capacitor	Murata
CIN2	1005	0.1μF, X7R, 16V	GCM155R71C104K	Ceramic Capacitor	Murata
R100	-	SHORT	-	-	-
R1	1005	30kΩ, 1%, 1/16W	MCR01MZPF3002	Chip Resistor	ROHM
R2	1005	24kΩ, 1%, 1/16W	MCR01MZPF2402	Chip Resistor	ROHM
R3	1005	13kΩ, 1%, 1/16W	MCR01MZPF1302	Chip Resistor	ROHM
R4	1005	100kΩ, 1%, 1/16W	MCR01MZPF1003	Chip Resistor	ROHM
C1	1005	0.1μF, X7R, 16V	GCM155R71C104K	Ceramic Capacitor	Murata
C2	1005	3300pF, X7R, 50V	GCM155R71H332K	Ceramic Capacitor	Murata
C3	-	-	-	-	-
C4	-	-	-	-	-
F1	-	-	-	-	-
CF1	-	-	-	-	-
CF2	-	-	-	-	-
CF3	-	-	-	-	-

Table 10. Parts list (VOUT=3.3V, VIN=5.0V)

No	Package	Parameters	Part Name (Series)	Type	Manufacturer
L1		1.0μH	CLF5030NIT-1R0N-D	Inductor	TDK
COUT1	3216	22μF, X7R, 6.3V	GCM31CR70J226K	Ceramic Capacitor	Murata
COUT2	3216	22μF, X7R, 6.3V	GCM31CR70J226K	Ceramic Capacitor	Murata
CIN1	2012	10μF, X7R, 10V	GCM21BR71A106K	Ceramic Capacitor	Murata
CIN2	1005	0.1μF, X7R, 16V	GCM155R71C104K	Ceramic Capacitor	Murata
R100	-	SHORT	-	-	-
R1	1005	75kΩ, 1%, 1/16W	MCR01MZPF7502	Chip Resistor	ROHM
R2	1005	24kΩ, 1%, 1/16W	MCR01MZPF2402	Chip Resistor	ROHM
R3	1005	20kΩ, 1%, 1/16W	MCR01MZPF2002	Chip Resistor	ROHM
R4	1005	100kΩ, 1%, 1/16W	MCR01MZPF1003	Chip Resistor	ROHM
C1	1005	0.1μF, X7R, 16V	GCM155R71C104K	Ceramic Capacitor	Murata
C2	1005	2200pF, X7R, 50V	GCM155R71H222K	Ceramic Capacitor	Murata
C3	-	-	-	-	-
C4	-	-	-	-	-
F1	-	-	-	-	-
CF1	-	-	-	-	-
CF2	-	-	-	-	-
CF3	-	-	-	-	-

(Note1) $V_{OUT} = \frac{R1+R2}{R2} \times 0.8$ [V]

(Note) C3, C4, F1, CF1, CF2, CF3 patterns are only optional. They can be utilized for adjusting the characteristics constants.

Board Layout

Evaluation Board PCB information

Number of Layers	Material	Board Size	Copper Thickness
4	FR4	114.3mm x 76.2mm x 1.6mm	2oz(70μm) / 1oz (35μm) / 1oz (35μm) / 2oz(70μm)

The layout of BD9S200MUF-C is shown below.

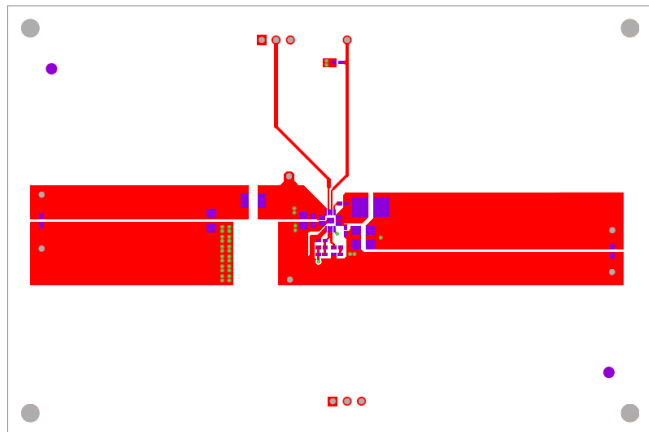


Figure 7. Top Layer Layout

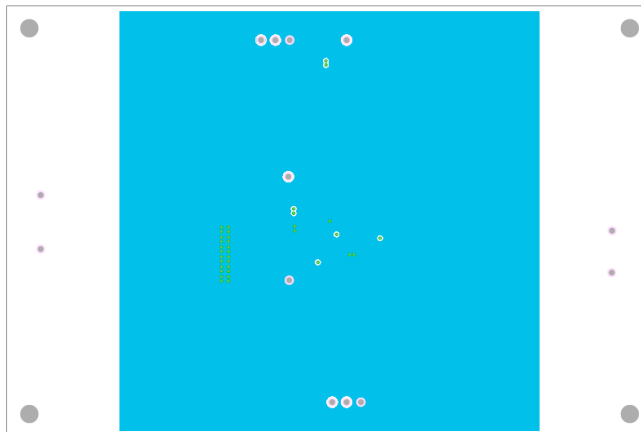


Figure 8. Middle1 Layer Layout

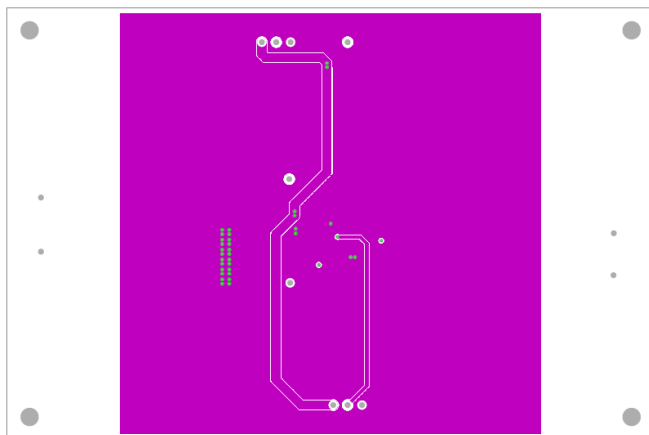


Figure 9. Middle2 Layer Layout

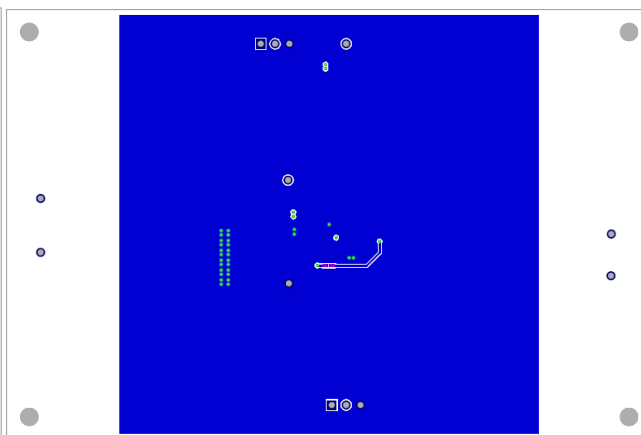


Figure 10. Bottom Layer Layout

Reference application data (BD9S200MUF-C)

($V_{IN}=V_{EN}=5.0V$, $V_{OUT}=3.3V$, $T_a=25^{\circ}C$)

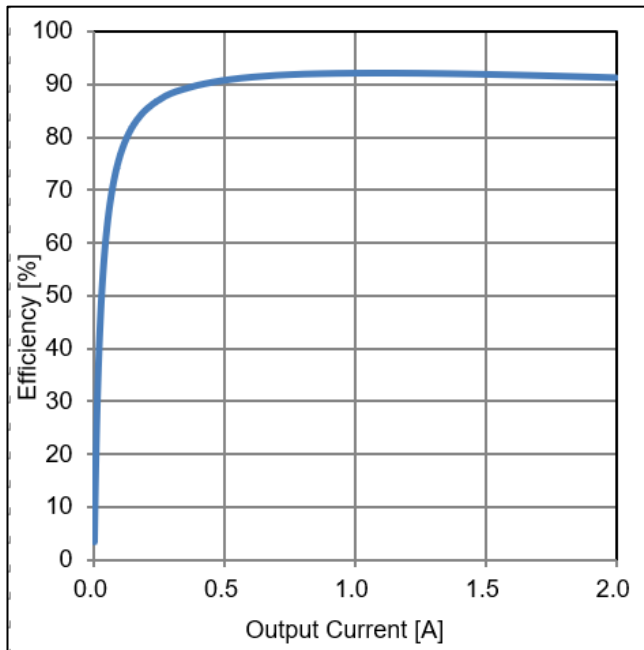


Figure 11. Efficiency vs Output Current

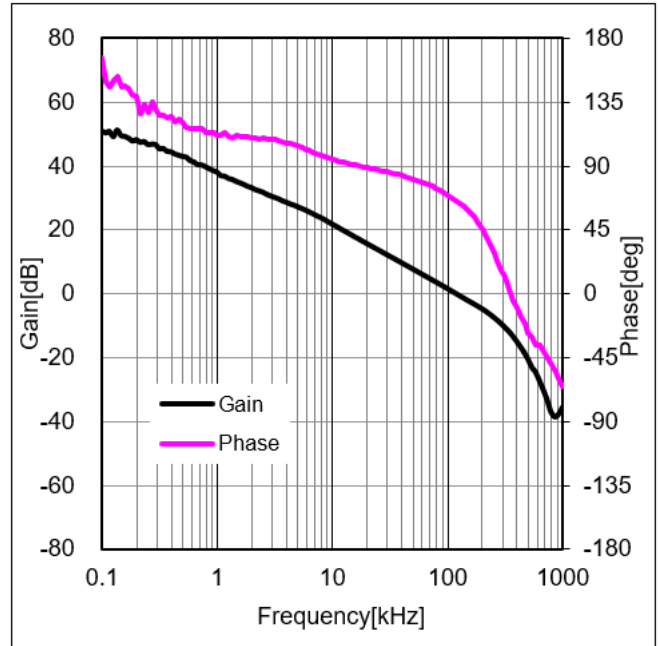


Figure 12. Frequency Characteristics ($I_{OUT}=2 A$)

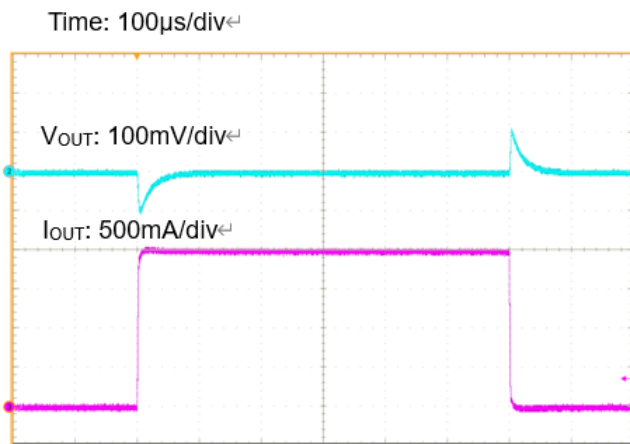


Figure 13. Load Transient Response ($I_{OUT} = 0 A \leftrightarrow 1 A$)

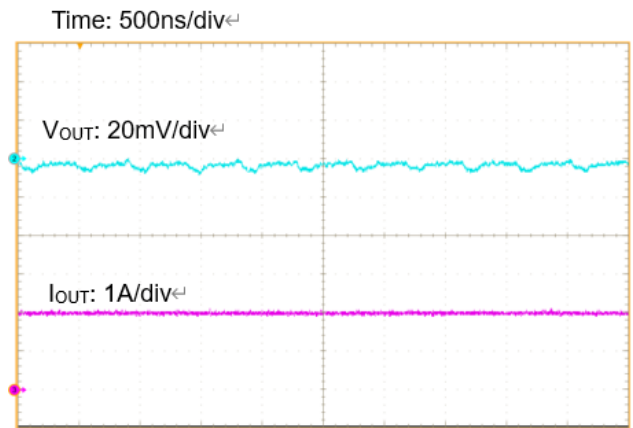


Figure 14. Output Ripple Voltage ($I_{OUT} = 2 A$)

Other series application data please refer to datasheet.

Revision History

Date	Revision Number	Description
Mar. 2021	01	Initial release

Notes

- 1) The information contained herein is subject to change without notice.
- 2) Before you use our Products, please contact our sales representative and verify the latest specifications :
- 3) Although ROHM is continuously working to improve product reliability and quality, semiconductors can break down and malfunction due to various factors.
Therefore, in order to prevent personal injury or fire arising from failure, please take safety measures such as complying with the derating characteristics, implementing redundant and fire prevention designs, and utilizing backups and fail-safe procedures. ROHM shall have no responsibility for any damages arising out of the use of our Products beyond the rating specified by ROHM.
- 4) Examples of application circuits, circuit constants and any other information contained herein are provided only to illustrate the standard usage and operations of the Products. The peripheral conditions must be taken into account when designing circuits for mass production.
- 5) The technical information specified herein is intended only to show the typical functions of and examples of application circuits for the Products. ROHM does not grant you, explicitly or implicitly, any license to use or exercise intellectual property or other rights held by ROHM or any other parties. ROHM shall have no responsibility whatsoever for any dispute arising out of the use of such technical information.
- 6) The Products specified in this document are not designed to be radiation tolerant.
- 7) For use of our Products in applications requiring a high degree of reliability (as exemplified below), please contact and consult with a ROHM representative : transportation equipment (i.e. cars, ships, trains), primary communication equipment, traffic lights, fire/crime prevention, safety equipment, medical systems, servers, solar cells, and power transmission systems.
- 8) Do not use our Products in applications requiring extremely high reliability, such as aerospace equipment, nuclear power control systems, and submarine repeaters.
- 9) ROHM shall have no responsibility for any damages or injury arising from non-compliance with the recommended usage conditions and specifications contained herein.
- 10) ROHM has used reasonable care to ensure the accuracy of the information contained in this document. However, ROHM does not warrants that such information is error-free, and ROHM shall have no responsibility for any damages arising from any inaccuracy or misprint of such information.
- 11) Please use the Products in accordance with any applicable environmental laws and regulations, such as the RoHS Directive. For more details, including RoHS compatibility, please contact a ROHM sales office. ROHM shall have no responsibility for any damages or losses resulting non-compliance with any applicable laws or regulations.
- 12) When providing our Products and technologies contained in this document to other countries, you must abide by the procedures and provisions stipulated in all applicable export laws and regulations, including without limitation the US Export Administration Regulations and the Foreign Exchange and Foreign Trade Act.
- 13) This document, in part or in whole, may not be reprinted or reproduced without prior consent of ROHM.



Thank you for your accessing to ROHM product informations.
More detail product informations and catalogs are available, please contact us.

ROHM Customer Support System

<https://www.rohm.com/contact/>