

Switching regulator series

PCB Layout for BD9A100MUV, BD9A101MUV, BD9A300MUV, BD9A301MUV, BD9A400MUV and BD9A600MUV

No.15xxxEAYxx

When designing switching nodes that operate at high speeds and switching power supplies that use a large current, PCB layout design is as important as circuit design. Major problems caused by poor PCB layout design include increase in noise superposed by output and switching signals, deterioration of regulation, and lack of stability. Such problems can be prevented by adopting an appropriate layout.

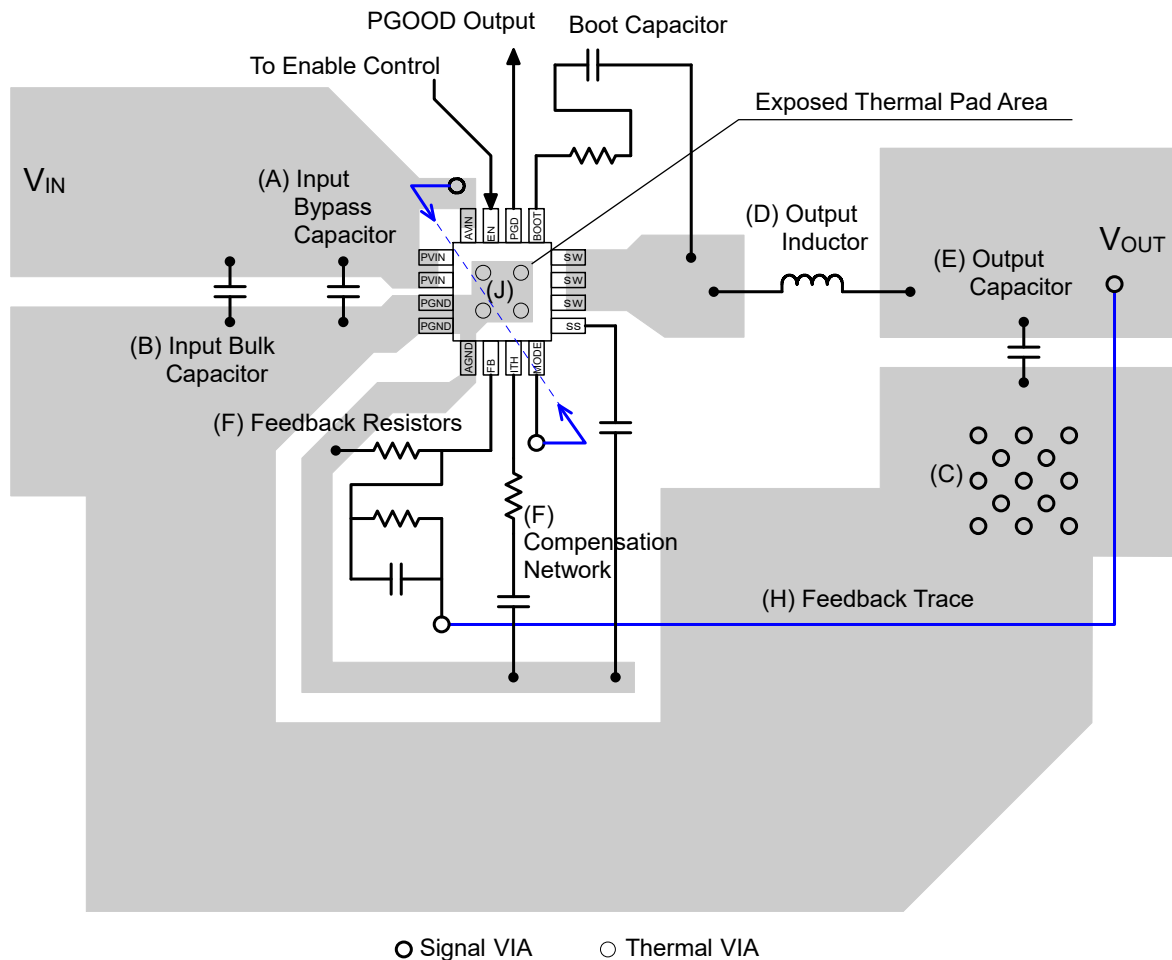


Figure 1. Example of a PCB layout

The V_{IN} pin at which high-frequency voltage switching occurs needs to be bypassed to PGND using a low-ESR ceramic capacitor (A). The bypass capacitor should be brought as close to the V_{IN} pin as possible (even within 1 mm) and positioned on the same surface as the IC. It is preferable to position the input bulk capacitor with the same requirements as that for the bypass capacitor. However, when positioning the bulk capacitor on the back surface owing to insufficient space for placing parts or any other such reason, it is necessary to satisfy the requirements for the bypass capacitor (B). Because high-frequency noise on

the order of several hundred megahertz is superposed on the input capacitor ground, it is recommended to position the C_{IN} ground 1 cm to 2 cm away from the C_{OUT} ground to avoid noise propagation to the output. For the connection to the inner layer common ground of the set, multiple VIA holes should be provided for the output capacitor portion with less noise so that the current capacity can be secured (C). If connected at the input capacitor section, high-frequency noise will be propagated to the common ground. The output inductor should be placed near the SW terminal. The wiring area must not be expanded beyond necessity to

prevent EMI increase. In addition, if a ground or other wiring is placed directly under the inductor, decrease in the inductor value, increase in loss (decrease in Q), and propagation of switching noise may arise (D).

The output capacitor should be connected to PGND (E).

Because the FB and ITH pins have high input impedances, they are easily affected by external disturbances. Parts connected to these pins should be placed near the IC pin and connected to AGND (F).

If a large current passes through AGND, a voltage drop may occur, resulting in device malfunction. It must be ensured that a large current does not flow through AGND (G).

The voltage feedback loop should be detected at the point on the load side from the output capacitor. If it is detected at the inductor side, the influence of ripple current and voltage drop may cause an error in the output voltage. For the voltage feedback route, it is recommended to avoid wiring directly under and parallel to the inductor to prevent

capacitive coupling and to route wires on the back surface or the inner layer sandwiching the ground plane (H). Further, attention must be paid to noise sources of other systems.

It is recommended to lay out the V_{IN} , V_{OUT} , and GND wiring on the same surface as the IC, and the wiring width should be more than the current capacity of the copper wiring (I). If layout on any other layer is required owing to restriction of the board area, multiple VIA holes should be provided to secure the current capacity.

For an IC with an exposed pad (back surface heat radiation pad), it is necessary to solder the pad on the ground. To achieve operation with the maximum load current, the ground region on the upper layer is required to have a sufficient radiation area. If sufficient area cannot be secured on the upper layer, the ground plane of the inner layer or back surface layer must be used with provision of multiple VIA holes near or directly under the IC to improve the radiation performance (J).

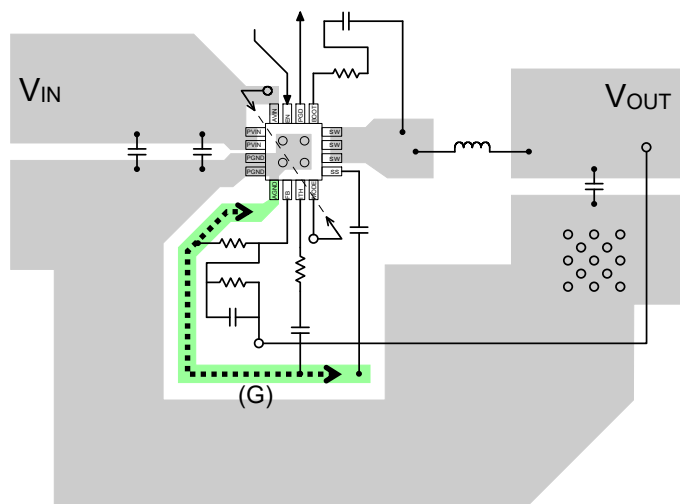


Figure 2. AGND wiring

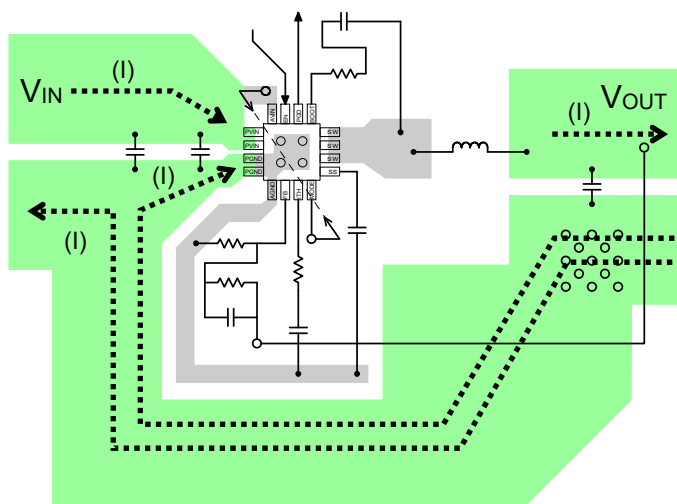


Figure 3. PGND wiring

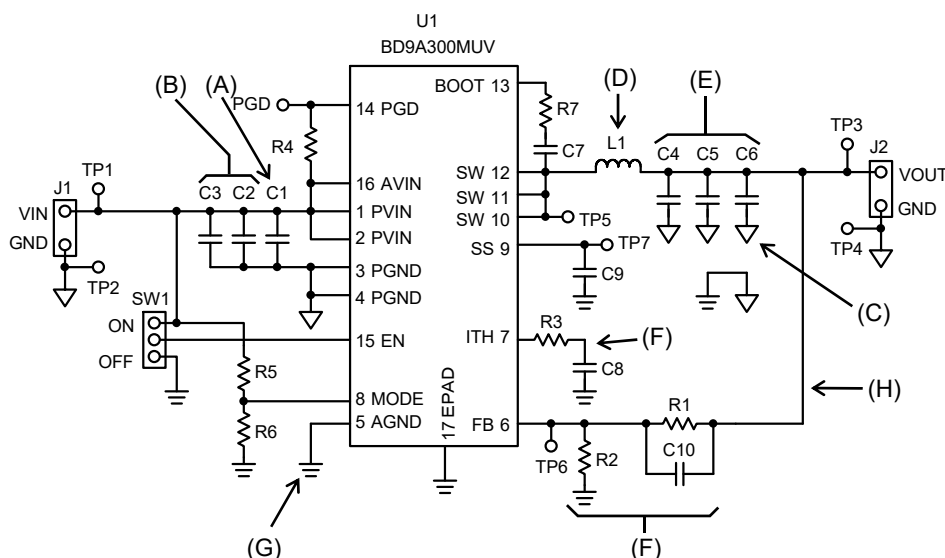


Figure 4. Example of a circuit diagram

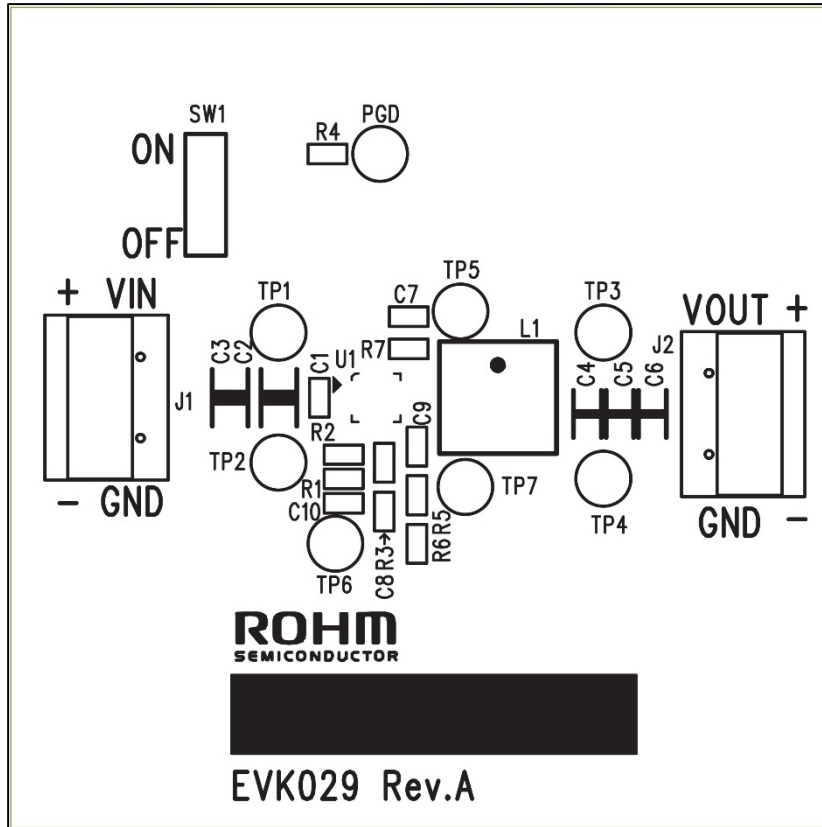


Figure 5. Top silk screen (Top view)

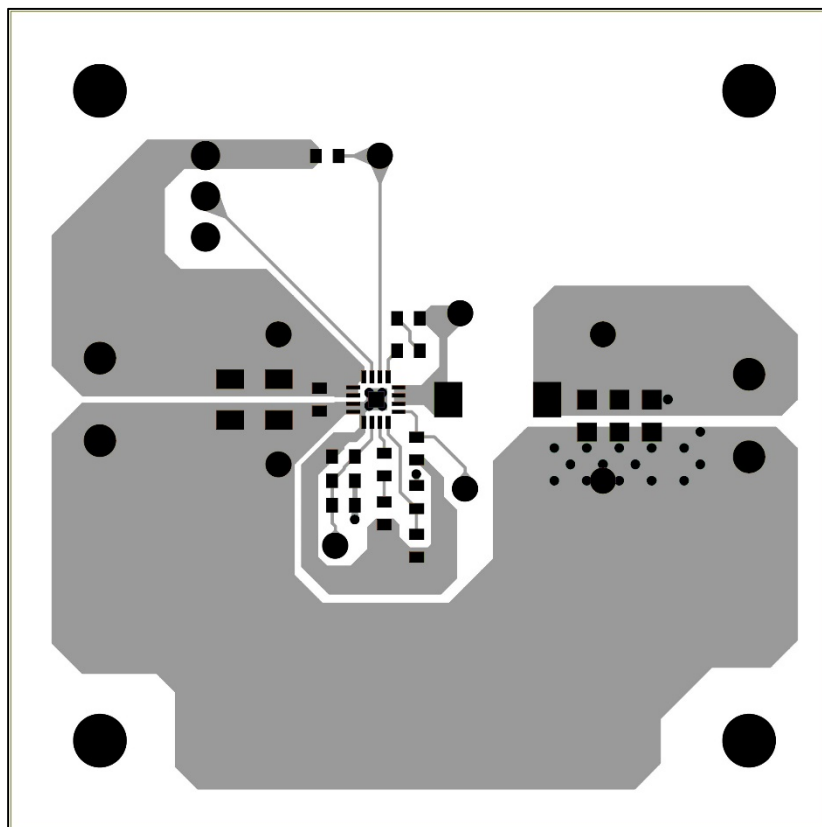


Figure 6. Top surface layout (Top view)

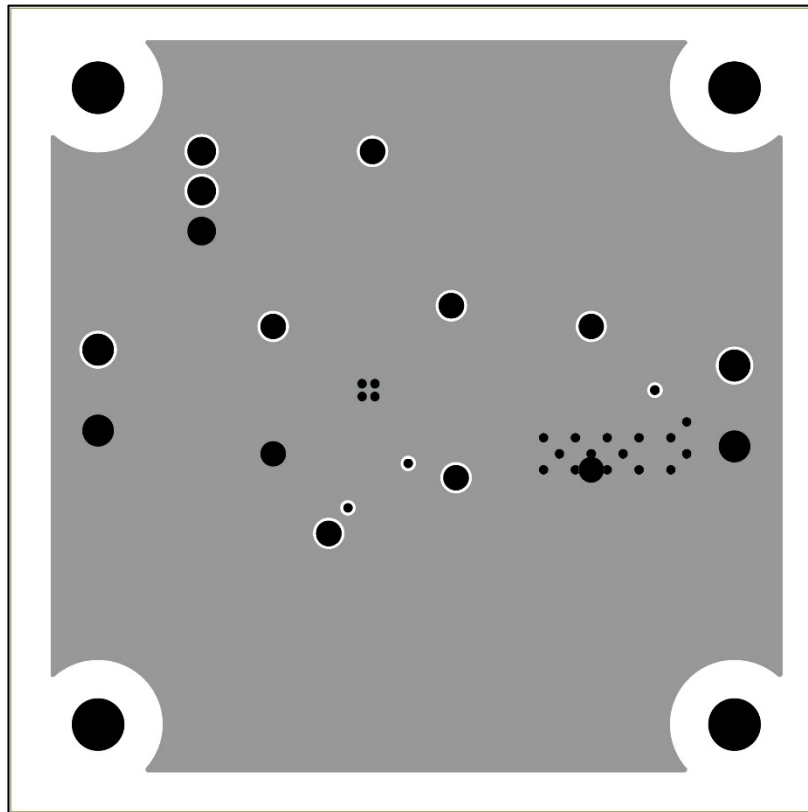


Figure 7. L2 and L3 layout (Top view)

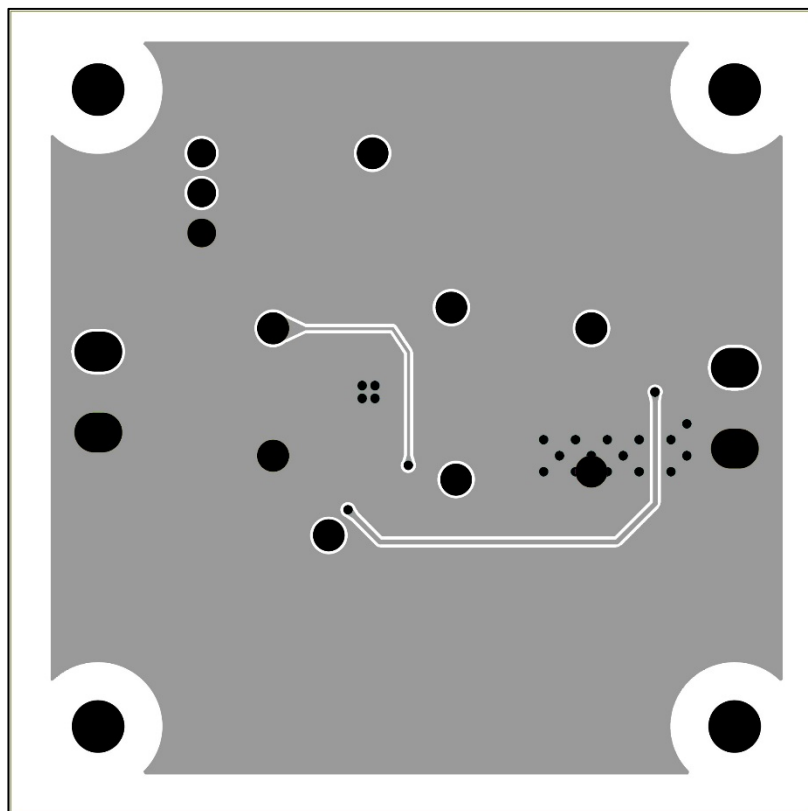


Figure 8. Bottom surface layout (Top view)

Notes

- 1) The information contained herein is subject to change without notice.
- 2) Before you use our Products, please contact our sales representative and verify the latest specifications :
- 3) Although ROHM is continuously working to improve product reliability and quality, semiconductors can break down and malfunction due to various factors.
Therefore, in order to prevent personal injury or fire arising from failure, please take safety measures such as complying with the derating characteristics, implementing redundant and fire prevention designs, and utilizing backups and fail-safe procedures. ROHM shall have no responsibility for any damages arising out of the use of our Products beyond the rating specified by ROHM.
- 4) Examples of application circuits, circuit constants and any other information contained herein are provided only to illustrate the standard usage and operations of the Products. The peripheral conditions must be taken into account when designing circuits for mass production.
- 5) The technical information specified herein is intended only to show the typical functions of and examples of application circuits for the Products. ROHM does not grant you, explicitly or implicitly, any license to use or exercise intellectual property or other rights held by ROHM or any other parties. ROHM shall have no responsibility whatsoever for any dispute arising out of the use of such technical information.
- 6) The Products specified in this document are not designed to be radiation tolerant.
- 7) For use of our Products in applications requiring a high degree of reliability (as exemplified below), please contact and consult with a ROHM representative : transportation equipment (i.e. cars, ships, trains), primary communication equipment, traffic lights, fire/crime prevention, safety equipment, medical systems, servers, solar cells, and power transmission systems.
- 8) Do not use our Products in applications requiring extremely high reliability, such as aerospace equipment, nuclear power control systems, and submarine repeaters.
- 9) ROHM shall have no responsibility for any damages or injury arising from non-compliance with the recommended usage conditions and specifications contained herein.
- 10) ROHM has used reasonable care to ensure the accuracy of the information contained in this document. However, ROHM does not warrants that such information is error-free, and ROHM shall have no responsibility for any damages arising from any inaccuracy or misprint of such information.
- 11) Please use the Products in accordance with any applicable environmental laws and regulations, such as the RoHS Directive. For more details, including RoHS compatibility, please contact a ROHM sales office. ROHM shall have no responsibility for any damages or losses resulting non-compliance with any applicable laws or regulations.
- 12) When providing our Products and technologies contained in this document to other countries, you must abide by the procedures and provisions stipulated in all applicable export laws and regulations, including without limitation the US Export Administration Regulations and the Foreign Exchange and Foreign Trade Act.
- 13) This document, in part or in whole, may not be reprinted or reproduced without prior consent of ROHM.



Thank you for your accessing to ROHM product informations.
More detail product informations and catalogs are available, please contact us.

ROHM Customer Support System

<http://www.rohm.com/contact/>