

**Innovations
Embedded**

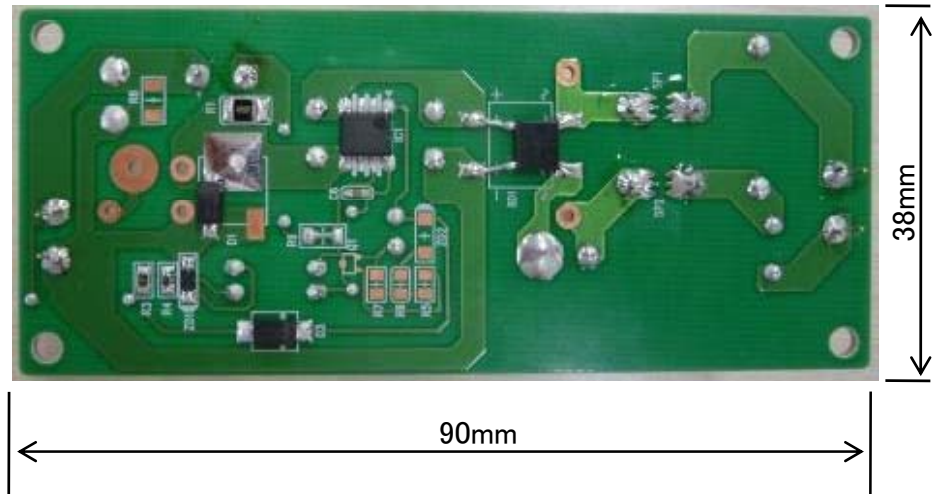
Board No:BM2P094FEVK-002

Confidential © 2013 ROHM Co.,Ltd. All Rights Reserved

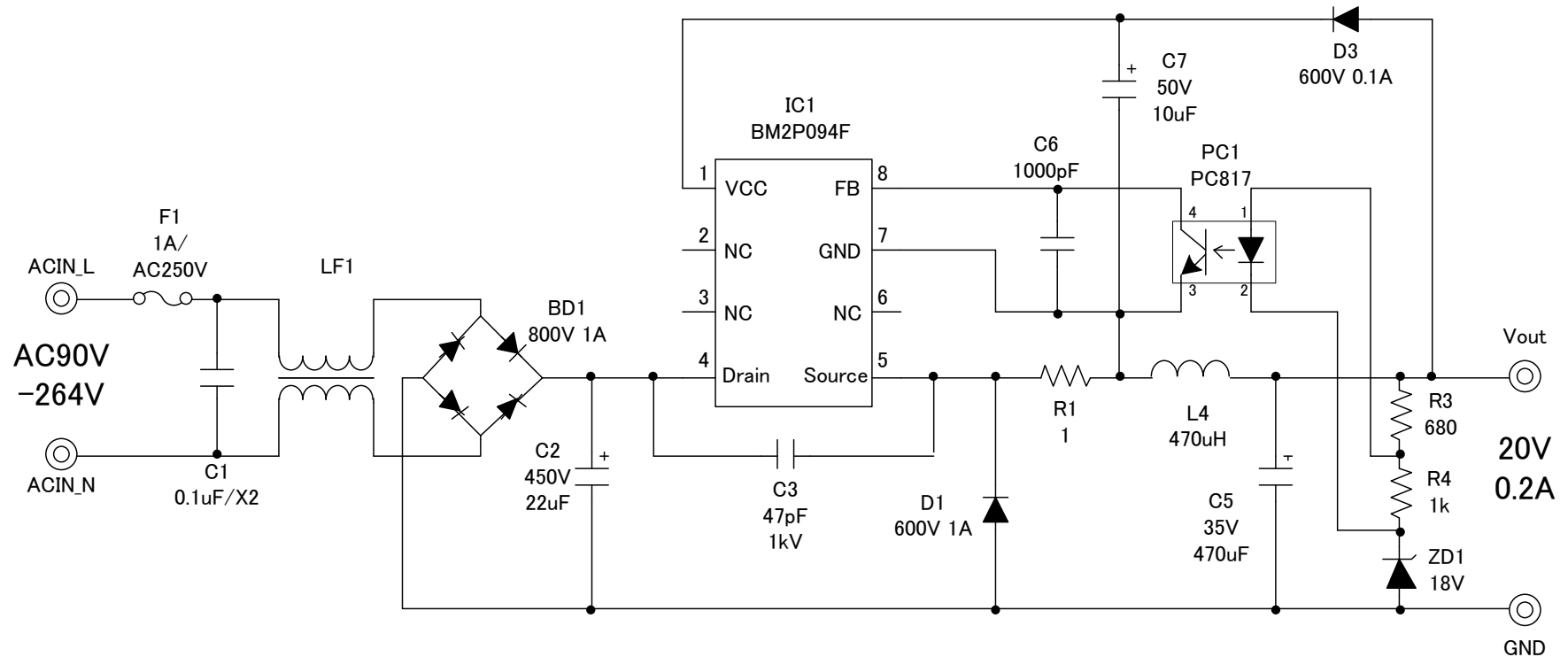
ROHM Co.,Ltd.

Reference Board Specification

Description		Symbol	Min	Typ	Max	Unit	Condition
Input	Voltage	Vin	90		264	Vac	
	Frequency	fac	47	50/60	63	Hz	
	No Load Input Power				100	mW	Vin: AC100V/230V
Output	Voltage	Vout	19	20	21	V	
	Current	Iout	0.2			A	
	Ripple Voltage	Vripple			100	mV	20MHz Bandwidth
	Efficiency		75			%	Output: 20V 0.2A



Application Schematic



Component List

Item	Spec	Parts name	Maker
C1	0.1uF/X2	LE104	Okaya
C2	10uF/400V	22uF/450V	
C3	47pF/1kV	CC45SL3AD470	TDK
C5	Low-Z 470uF/35V	Low-Z 470uF/35V	
C6	1000pF/16V	1000pF/16V 1608	
C7	10uF/50V	10uF/50V	
BD1	800V/1A	D1UBA80	Shindengen
D1	FRD 600V 0.8A	RFN1L6S	Rohm
D3	600V/0.1A	1SR154-600	Rohm
ZD1	18V	UDZSTE-1718B	Rohm
F1	1A/AC250V	3691100***	Littlefuse
LF1		SU9VF-02100	NEC Tokin
L4	470uH/0.8A	744 7480 471	Würth
IC1		BM2P094F	Rohm
R1	1 Ω /0.5W	MCR25JZHJ1R0	Rohm
R3	680 Ω	MCR10EZPJ681	Rohm
R4	1k Ω	MCR10EZPJ102	Rohm
PC1		PC817	

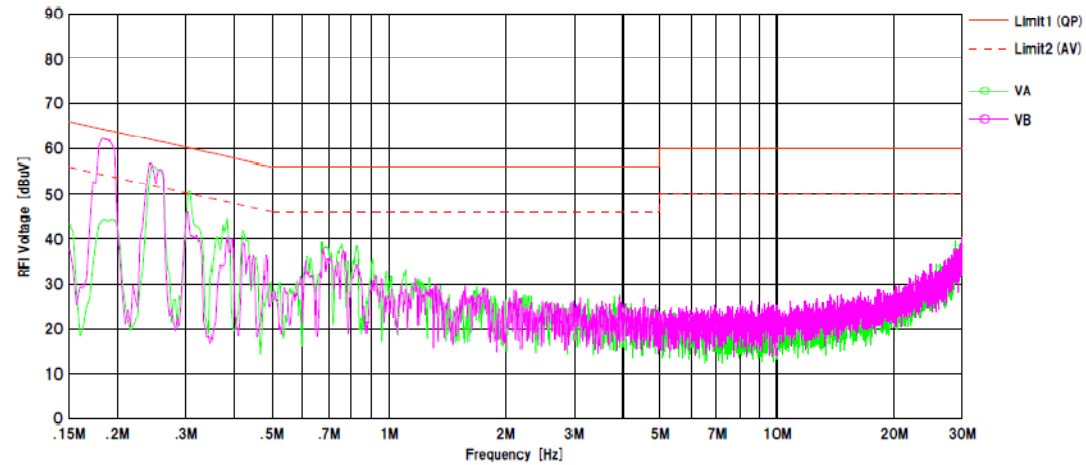
Measurement Data

Vin(V)	Pin(W)	Vout(V)	Iout(A)	Pout(W)	η (%)
90	0.046	19.90	0	0	-
	0.271	19.98	0.01	0.200	73.7
	1.199	19.92	0.05	0.996	83.1
	2.369	19.91	0.1	1.991	84.0
	3.518	19.90	0.15	2.985	84.8
	4.703	19.88	0.2	3.976	84.5
100	0.046	19.91	0	0	-
	0.273	19.92	0.01	0.199	72.9
	1.205	19.93	0.05	0.997	82.7
	2.376	19.92	0.1	1.992	83.9
	3.527	19.92	0.15	2.988	84.7
	4.702	19.91	0.2	3.982	84.7
230	0.056	19.96	0	0	-
	0.294	19.97	0.01	0.200	67.9
	1.272	19.98	0.05	0.999	78.6
	2.449	19.99	0.1	1.999	81.6
	3.651	20.00	0.15	3.000	82.2
	4.945	19.99	0.2	3.998	80.9
264	0.058	19.94	0	0	-
	0.301	19.95	0.01	0.199	66.3
	1.261	19.96	0.05	0.998	79.1
	2.472	19.98	0.1	1.998	80.8
	3.680	19.98	0.15	2.997	81.4
	4.934	19.97	0.2	3.994	80.9

Conduction EMI

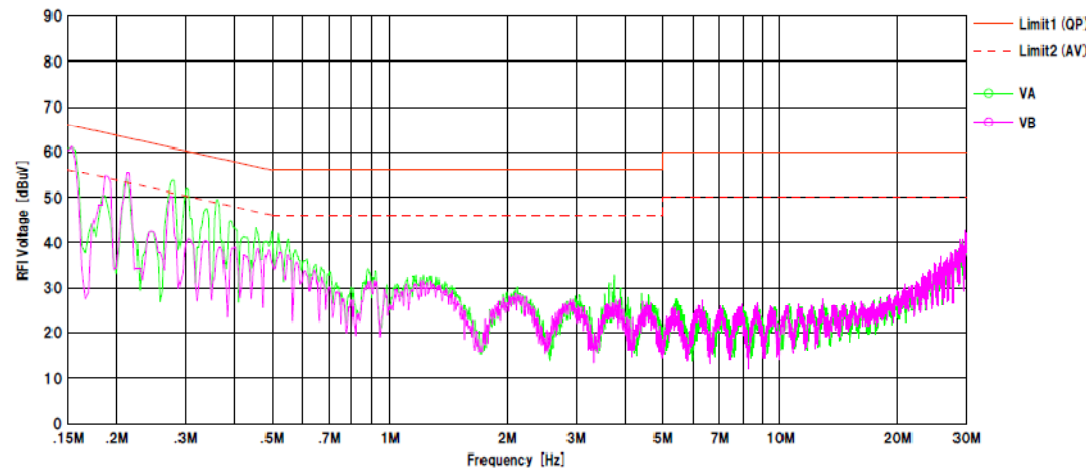
Vin: AC100V/50Hz
Vout: 20V 0.2A

Limit1 : CISPR Pub 22 Class B
Limit2 : CISPR Pub 22 Class B (AV)



Vin: AC230V/50Hz
Vout: 20V 0.2A

Limit1 : CISPR Pub 22 Class B
Limit2 : CISPR Pub 22 Class B (AV)



Notes

- 1) The information contained herein is subject to change without notice.
- 2) Before you use our Products, please contact our sales representative and verify the latest specifications :
- 3) Although ROHM is continuously working to improve product reliability and quality, semiconductors can break down and malfunction due to various factors.
Therefore, in order to prevent personal injury or fire arising from failure, please take safety measures such as complying with the derating characteristics, implementing redundant and fire prevention designs, and utilizing backups and fail-safe procedures. ROHM shall have no responsibility for any damages arising out of the use of our Products beyond the rating specified by ROHM.
- 4) Examples of application circuits, circuit constants and any other information contained herein are provided only to illustrate the standard usage and operations of the Products. The peripheral conditions must be taken into account when designing circuits for mass production.
- 5) The technical information specified herein is intended only to show the typical functions of and examples of application circuits for the Products. ROHM does not grant you, explicitly or implicitly, any license to use or exercise intellectual property or other rights held by ROHM or any other parties. ROHM shall have no responsibility whatsoever for any dispute arising out of the use of such technical information.
- 6) The Products are intended for use in general electronic equipment (i.e. AV/OA devices, communication, consumer systems, gaming/entertainment sets) as well as the applications indicated in this document.
- 7) The Products specified in this document are not designed to be radiation tolerant.
- 8) For use of our Products in applications requiring a high degree of reliability (as exemplified below), please contact and consult with a ROHM representative : transportation equipment (i.e. cars, ships, trains), primary communication equipment, traffic lights, fire/crime prevention, safety equipment, medical systems, servers, solar cells, and power transmission systems.
- 9) Do not use our Products in applications requiring extremely high reliability, such as aerospace equipment, nuclear power control systems, and submarine repeaters.
- 10) ROHM shall have no responsibility for any damages or injury arising from non-compliance with the recommended usage conditions and specifications contained herein.
- 11) ROHM has used reasonable care to ensure the accuracy of the information contained in this document. However, ROHM does not warrant that such information is error-free, and ROHM shall have no responsibility for any damages arising from any inaccuracy or misprint of such information.
- 12) Please use the Products in accordance with any applicable environmental laws and regulations, such as the RoHS Directive. For more details, including RoHS compatibility, please contact a ROHM sales office. ROHM shall have no responsibility for any damages or losses resulting from non-compliance with any applicable laws or regulations.
- 13) When providing our Products and technologies contained in this document to other countries, you must abide by the procedures and provisions stipulated in all applicable export laws and regulations, including without limitation the US Export Administration Regulations and the Foreign Exchange and Foreign Trade Act.
- 14) This document, in part or in whole, may not be reprinted or reproduced without prior consent of ROHM.



Thank you for your accessing to ROHM product informations.
More detail product informations and catalogs are available, please contact us.

ROHM Customer Support System

<http://www.rohm.com/contact/>