

IPM(智能功率模块)

IGBT-IPM

P.144

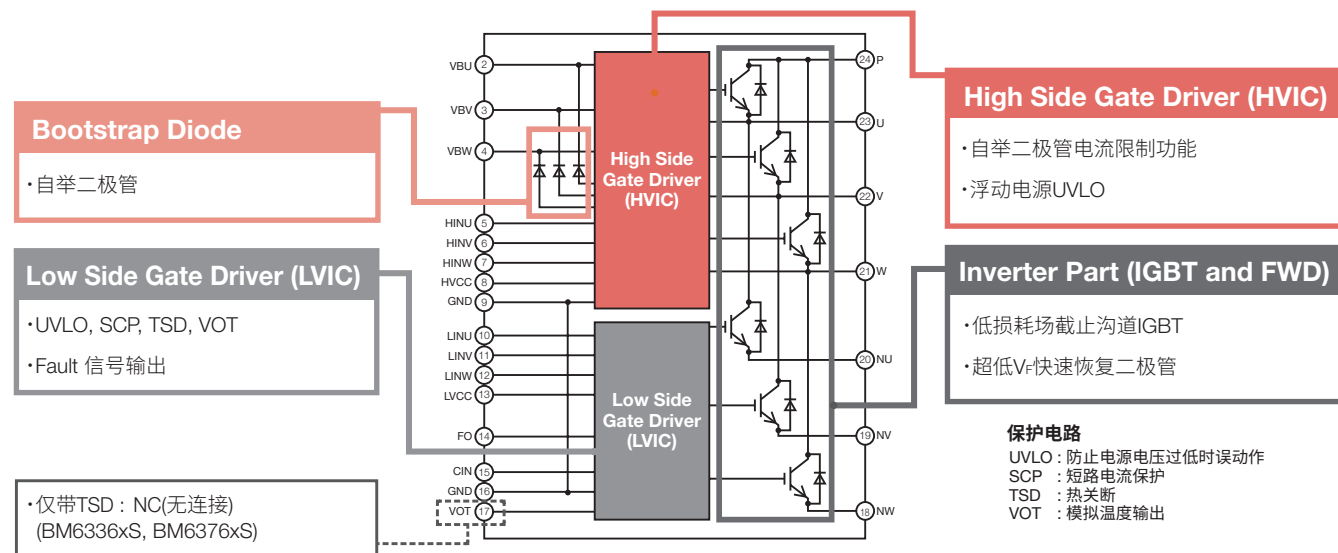
MOS-IPM

P.144

IPM(智能功率模块)

方框图

IGBT-IPM



IPM(智能功率模块)一览表

V _{DSS} /V _{CES} (V)	I _B /I _C (A)	IGBT-IPM				MOS-IPM			
		Gen.2		Gen.3		Gen.1			
		Thermal Protective Function*		Thermal Protective Function*		Thermal Protective Function*			
TSD		VOT		TSD & VOT		VOT		TSD	
600	10	BM63363S-VA BM63363S-VC BM63763S-VA BM63763S-VC	BM63563S-VA BM63563S-VC BM63963S-VA BM63963S-VC	BM63373S-VA BM63373S-VC	BM63573S-VA BM63573S-VC				
	15	BM63364S-VA BM63364S-VC BM63764S-VA BM63764S-VC	BM63564S-VA BM63564S-VC BM63964S-VA BM63964S-VC	BM63374S-VA BM63374S-VC BM64374S-VA	BM63574S-VA BM63574S-VC			BM65364S-VA BM65364S-VC	
	20			BM63375S-VA BM63375S-VC BM64375S-VA	BM63575S-VA BM63575S-VC				
	30	BM63767S-VA BM63767S-VC	BM63967S-VA BM63967S-VC	BM63377S-VA BM63377S-VC BM64377S-VA	BM63577S-VA BM63577S-VC				
	35			BM64378S-VA					

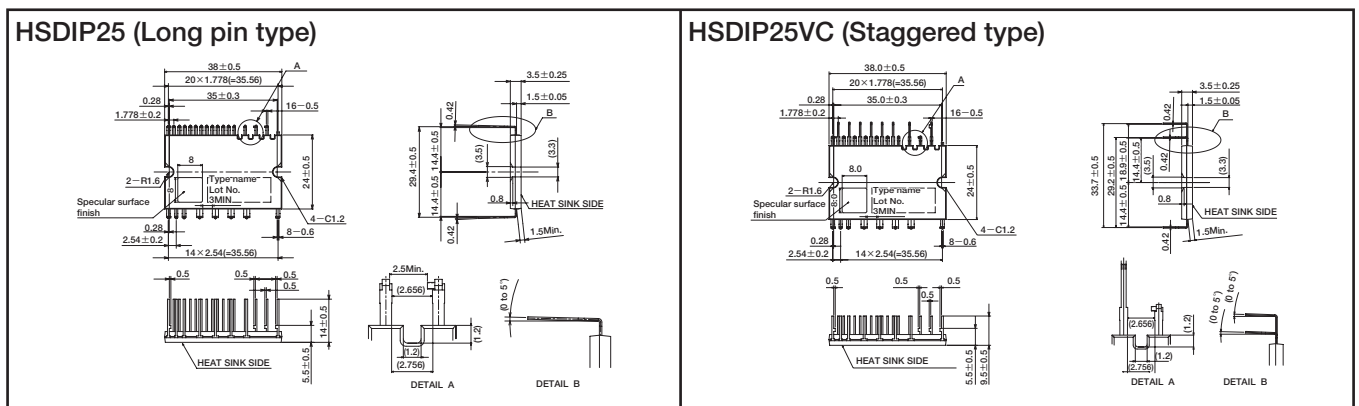
*TSD : Thermal Shut Down, VOT : 模拟温度输出

IPM(智能功率模块)

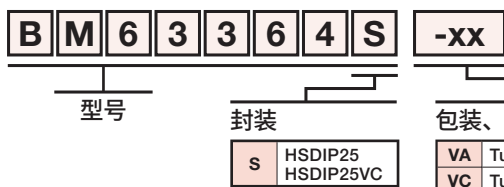
IGBT-IPM									
Generation	Part No.	Power Device	V _{CES} (V)	I _C (A)	PWM Input Frequency (kHz)	Isolation Voltage*1 (Vrms)	Thermal Protective Function*2		Package
							TSD	VOT	
Gen.2	BM63363S-VA	IGBT	600	10	up to 6	1,500	✓		HSDIP25
	BM63363S-VC						✓		HSDIP25VC
	BM63563S-VA							✓	HSDIP25
	BM63563S-VC							✓	HSDIP25VC
	BM63763S-VA						✓		HSDIP25
	BM63763S-VC						✓		HSDIP25VC
	BM63963S-VA				✓		HSDIP25		
	BM63963S-VC				✓		HSDIP25VC		
	BM63364S-VA			✓			HSDIP25		
	BM63364S-VC			✓			HSDIP25VC		
	BM63564S-VA				✓		HSDIP25		
	BM63564S-VC				✓		HSDIP25VC		
	BM63764S-VA			✓			HSDIP25		
	BM63764S-VC			✓			HSDIP25VC		
	BM63964S-VA				✓		HSDIP25		
	BM63964S-VC				✓		HSDIP25VC		
	BM63767S-VA			✓			HSDIP25		
	BM63767S-VC			✓			HSDIP25VC		
BM63967S-VA		✓	HSDIP25						
BM63967S-VC		✓	HSDIP25VC						
Gen.3	BM63373S-VA	IGBT	600	10	up to 20	1,500	✓	✓	HSDIP25
	BM63373S-VC						✓	✓	HSDIP25VC
	BM63573S-VA							✓	HSDIP25
	BM63573S-VC							✓	HSDIP25VC
	BM63374S-VA						✓	✓	HSDIP25
	BM63374S-VC						✓	✓	HSDIP25VC
	BM63574S-VA						✓	HSDIP25	
	BM63574S-VC						✓	HSDIP25VC	
	BM64374S-VA			✓			✓	HSDIP25	
	BM64374S-VC			✓			✓	HSDIP25VC	
	BM63375S-VA			✓			✓	HSDIP25	
	BM63375S-VC			✓			✓	HSDIP25VC	
	BM63575S-VA						✓	HSDIP25	
	BM63575S-VC						✓	HSDIP25VC	
	BM64375S-VA			✓			✓	HSDIP25	
	BM64375S-VC			✓			✓	HSDIP25VC	
	BM63377S-VA			✓			✓	HSDIP25	
	BM63377S-VC			✓			✓	HSDIP25VC	
	BM63577S-VA						✓	HSDIP25	
	BM63577S-VC						✓	HSDIP25VC	
	BM64377S-VA			✓			✓	HSDIP25	
	BM64377S-VC			✓			✓	HSDIP25VC	
	BM63378S-VA			✓			✓	HSDIP25	
	BM63378S-VC			✓			✓	HSDIP25VC	
MOS-IPM									
Generation	Part No.	Power Device	V _{DS} (V)	I _b (A)	Recommended Switching Frequency (kHz)	Isolation Voltage*1 (Vrms)	Thermal Protective Function*2		Package
							TSD	VOT	
Gen.1	BM65364S-VA	MOSFET	600	15	up to 20	1,500	✓		HSDIP25
	BM65364S-VC						✓		HSDIP25VC

*1 AC60Hz, 1min., 使用凸型散热片时支持2,500Vrms *2 TSD : Thermal Shut Down, VOT : 模拟温度输出

●尺寸 (单位: mm)



●品名构成说明



IPM(智能功率模块)